

7 SPECIAL WARNING FOR USA AND CANADA

This device complies with part 15 of the FCC Rules. Operation is subject to the following two conditions: (1) This device may not cause harmful interference, (2) this device must accept any interference received, including interference that may cause undesired operation. (§15.19 (3)).

FCC ID: 2AT66-DIRISDGWM

Canada, Industry Canada (IC) Notices

This device complies with Industry Canada license-exempt RSS standard(s). Operation is subject to the following two conditions: (1) this device may not cause interference, and (2) this device must accept any interference, including interference that may cause undesired operation of the device.

IC ID: 25318-DIRISDGWM

Le présent appareil est conforme aux CNR d'ISED applicables aux appareils radio exempts de licence. L'exploitation est autorisée aux deux conditions suivantes : (1) le dispositif ne doit pas produire de brouillage préjudiciable, et (2) ce dispositif doit accepter tout brouillage reçu, y compris un brouillage susceptible de provoquer un fonctionnement indésirable.

socomec
Innovative Power Solutions

DIRIS Digiware M-50 & M-70

Multi-protocol communication gateways



548749B



This symbol indicates that the full instruction manual, declaration of conformity EU-type examination certificate are available on the Socomec website: www.socomec.com/operating-instructions

www.socomec.com

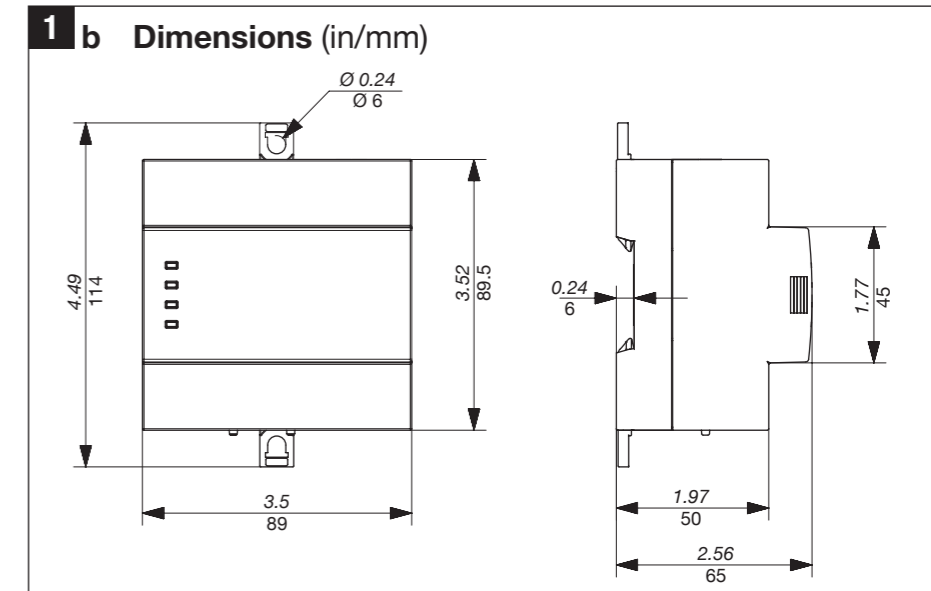
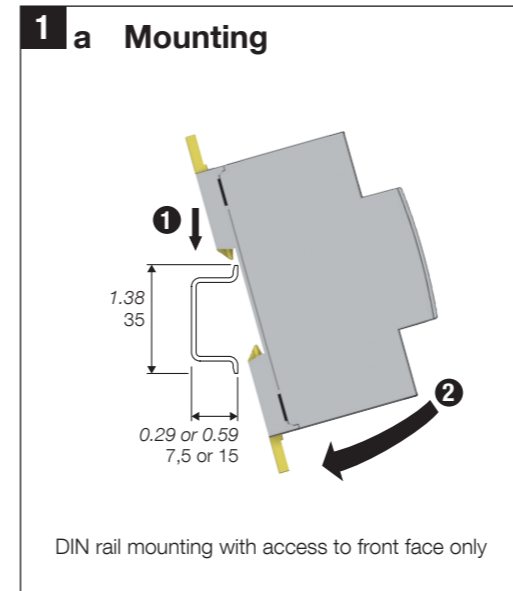
Please consult safety warning (ref. 546660) before installing the devices.



DIRIS Digiware M-50
Ref. 4829 0221

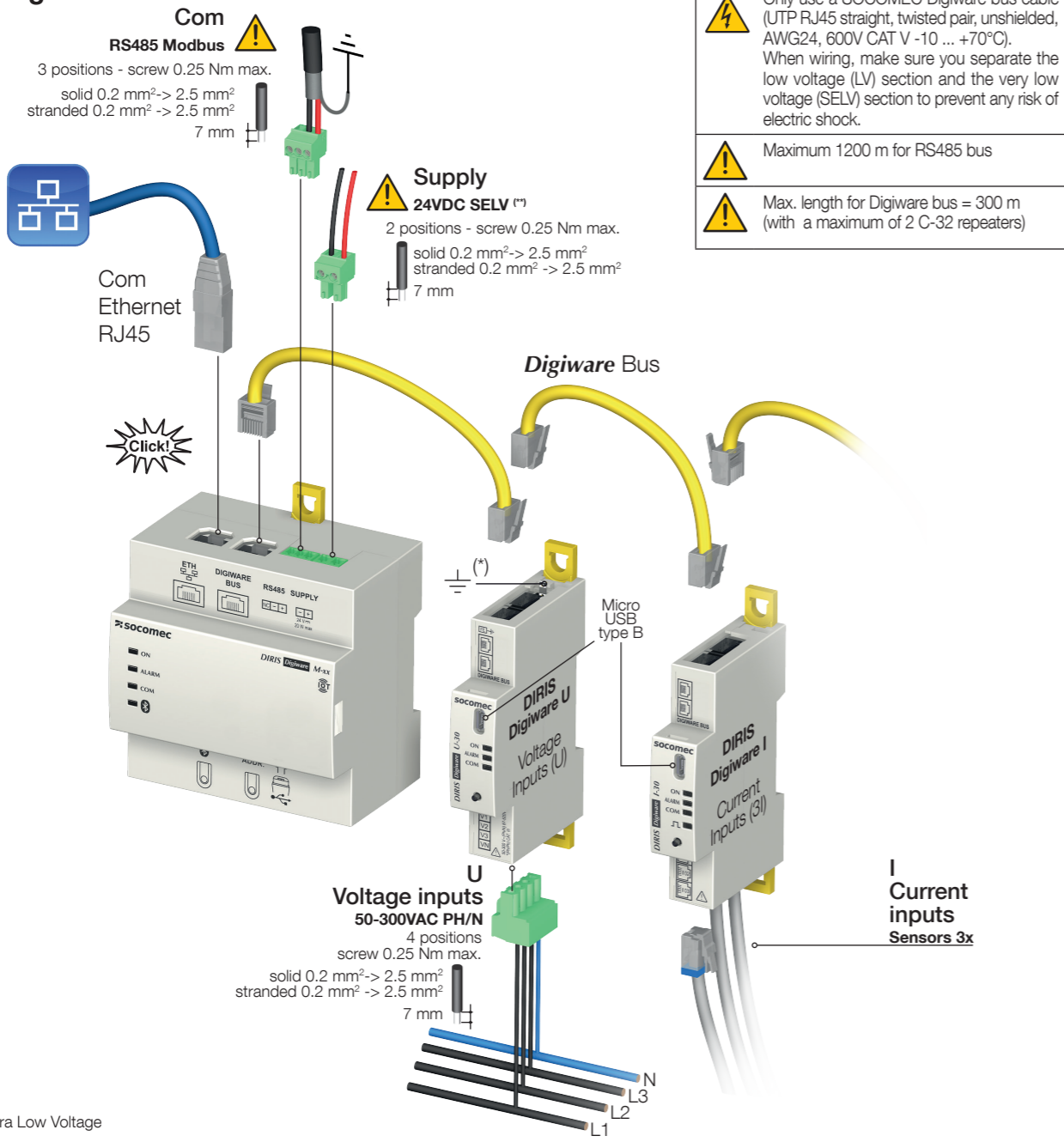


DIRIS Digiware M-70
Ref. 4829 0222



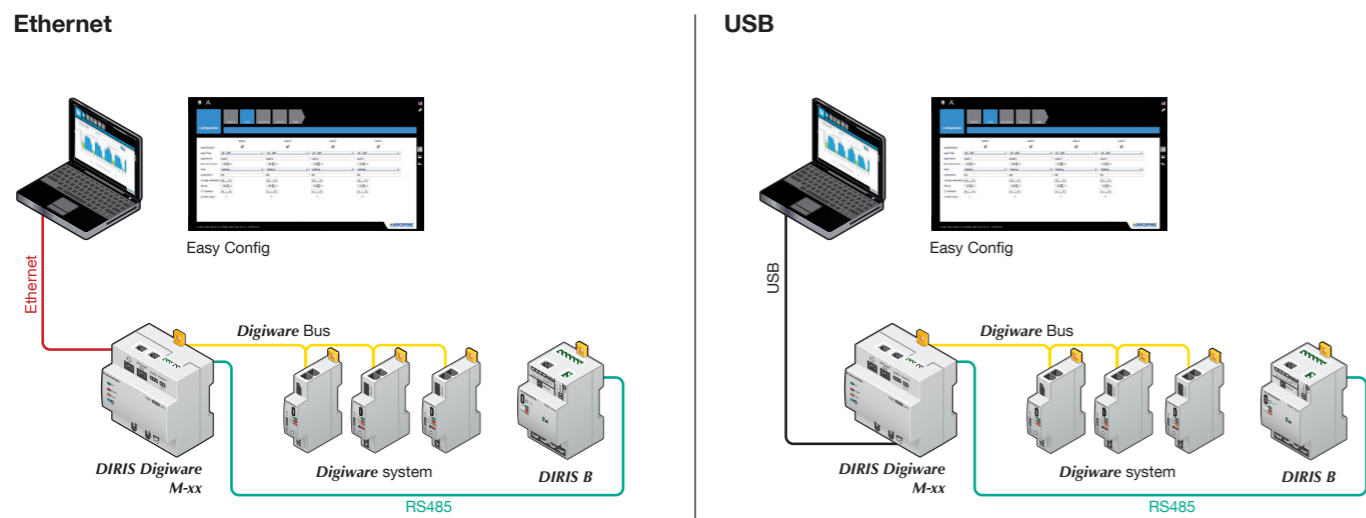
2	Technical characteristics	DIRIS Digiware M-50	DIRIS Digiware M-70
	Communication characteristics		
	Default IP address	192.168.0.4	192.168.0.4
	Ethernet RJ45 10/100 Mbs	Gateway: MODBUS TCP / RTU BACnet IP / SNMP v1 v2 v3	
	Embedded software	-	WEBVIEW-M
	Max connected devices	32	
	RJ45 Digiware bus	Input	
	RS485 2-3 wires	Input (Master) / Output (Slave)	
	Speed	9600 bds (10 devices max) / 38400 bds - 115200 bds (32 devices max)	
	RJ9 port	Not used yet	
	Micro USB	For configuration	
	Bluetooth Low Energy		
	Use	No feature implemented yet	
	Operating frequency	2402 to 2480 MHz	
	EIRP Power	6.23 dBm (measured max. average)	
	Electrical characteristics		
	Power supply	24 VDC +/- 10%, 20 W max	
	Supply protection	Integrated into SOCOMEC supply (ref. 4829 0120) or use 24 VDC 1 A gG/Am fuse	
	Consumption	2.5 VA	
	Environmental characteristics		
	Use	Indoor	
	Storage temperature	-25 ... +70 °C	
	Operating temperature	-10 ... +55 °C	
	Humidity	95 % at +40 °C without condensation	
	Maximum operating altitude	2000 m	
	Pollution degree	2	
	Protection class	IP 40 (front face)	

3 System wiring

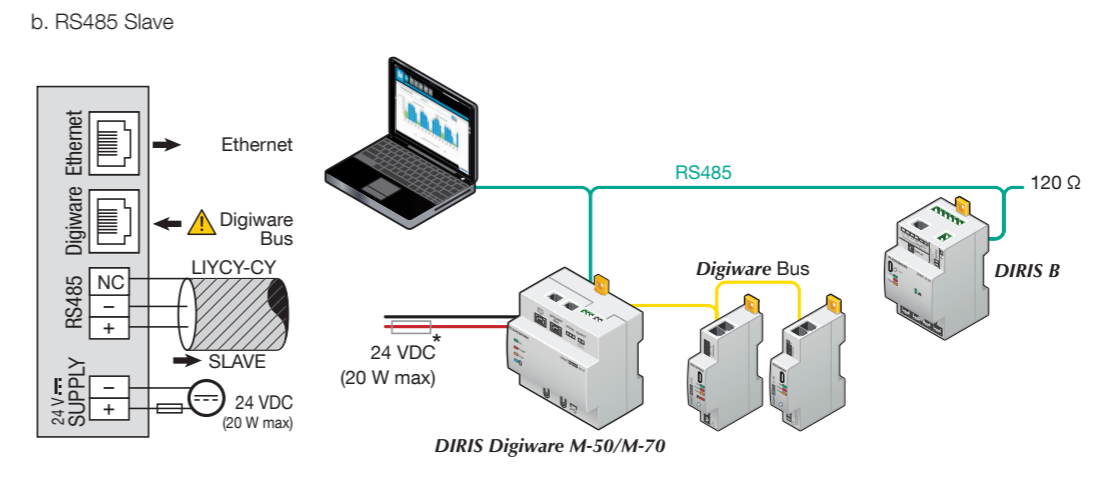
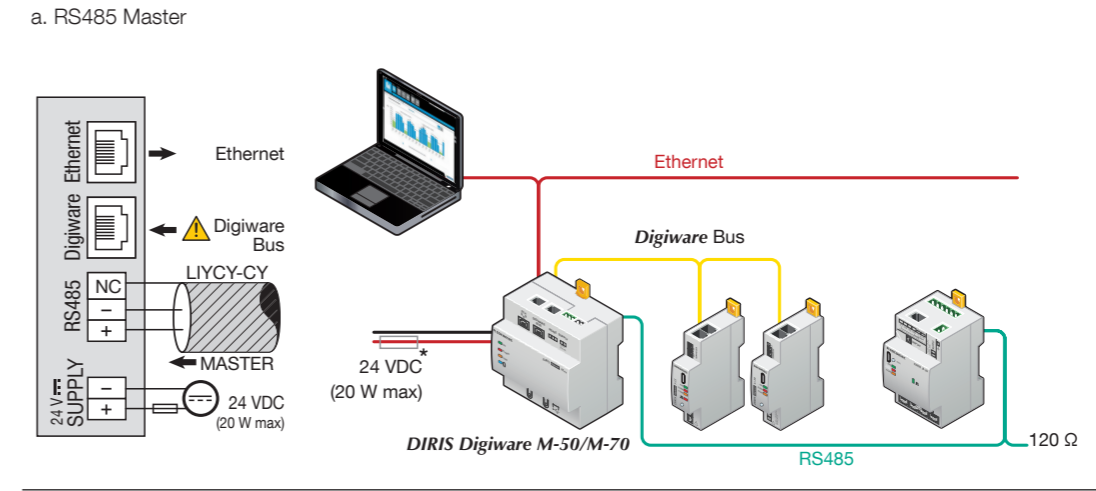


(*) Functional Earth
 (**) SELV = Safety Extra Low Voltage

4 Configuration via Easy Config software



5 Communication architectures



* If the 24 VDC power supply is not provided by Socomec, a 1 A / 24 VDC fuse must be used. For North America, the use of recognized fuses is mandatory.

6 LEDs and push buttons

⚡ When installed close to uninsulated live parts, use personal protective equipment to manipulate the device (push buttons and ports).

LED	OFF	Stable	Flashing
ON (Green)	Device is off	Product ON	- 10 sec During startup - Manual blinking command
ALARM (Red)	No active alarm	Measurement alarm active on a slave device	System alarm active on a device
COM (Orange)	No communication	-	Product communicating
(Blue)	Bluetooth is deactivated	Bluetooth is activated	Ongoing Bluetooth pairing process

