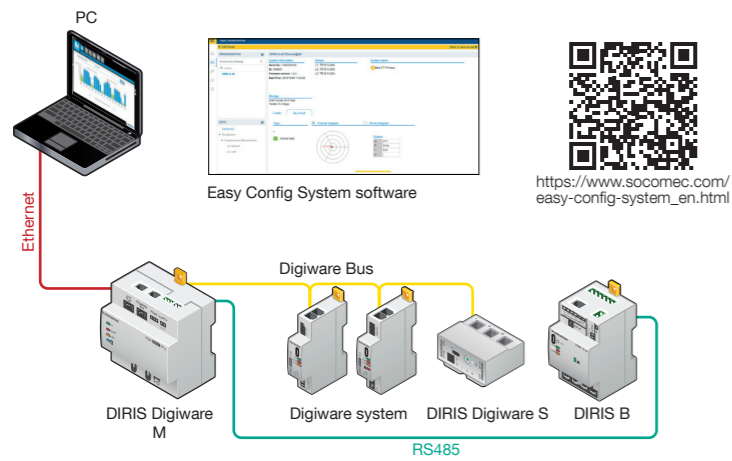
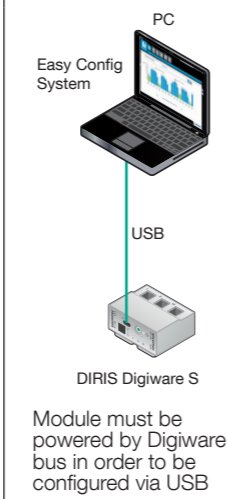


Easy Config System software

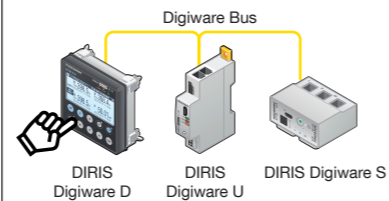
USB or Ethernet via DIRIS Digiware M gateway



Direct USB



DIRIS Digiware D display Manual via D-xx display

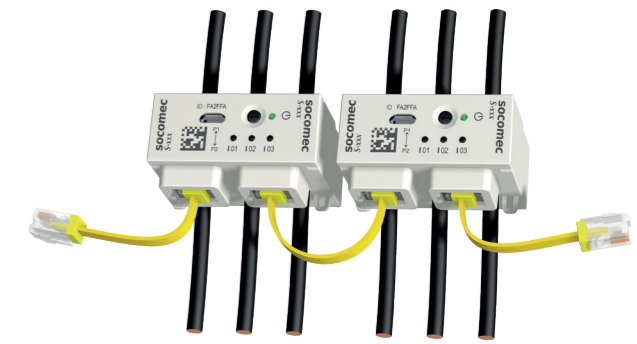


DIRIS Digiware S

Power Monitoring Device



Full user manual:
www.socomec.com/operating-instructions
www.socomec.com

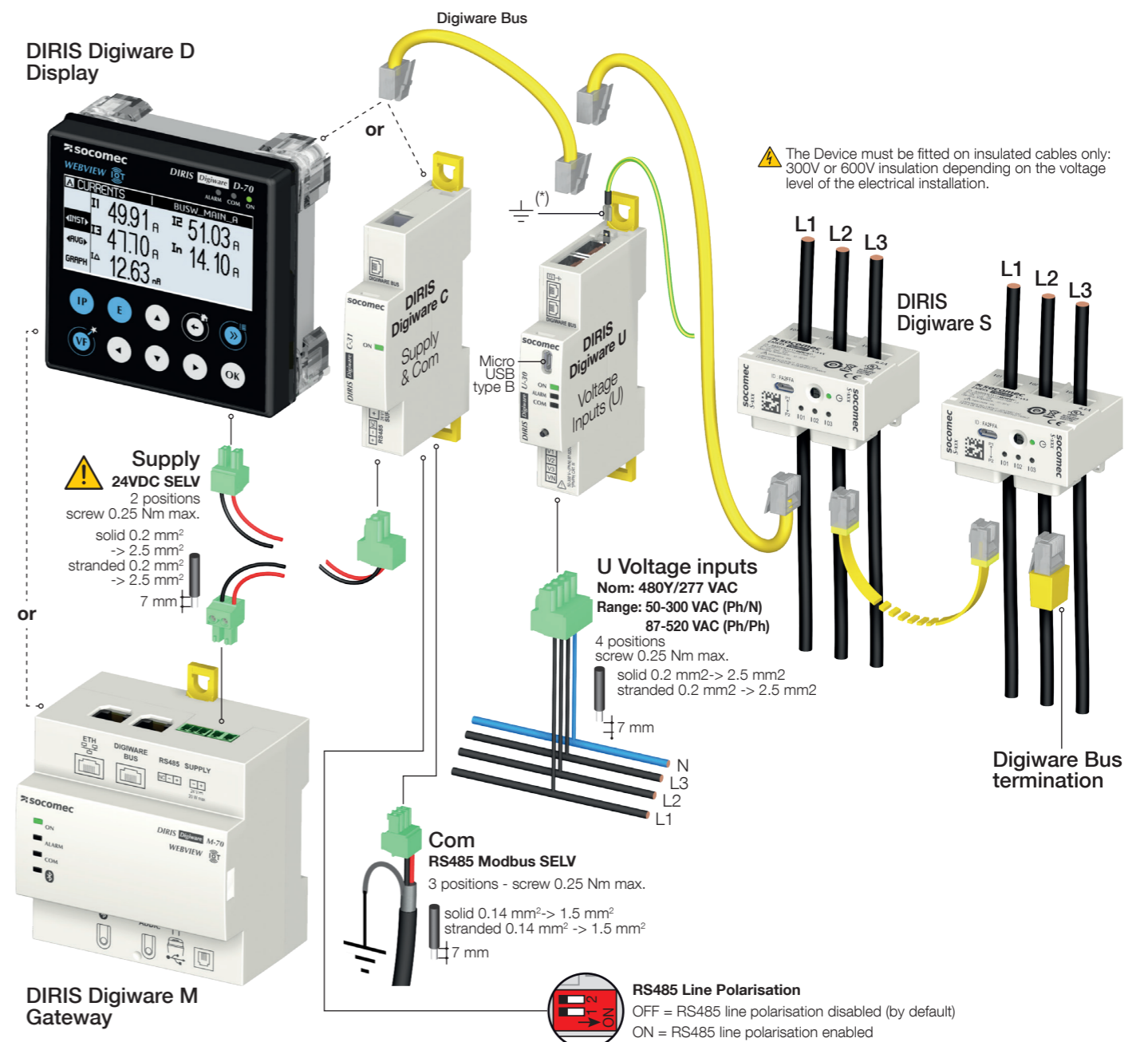


DIRIS Digiware S-130 (4829 0160)
DIRIS Digiware S-135 (4829 0161)
DIRIS Digiware S-Datacenter (4829 0162)

Ib: 10A
Imax: 63A

1 Full system

- ⚠ Use RJ45 Digiware Bus cables (UTP RJ45 straight, twisted pairs, unshielded, AWG24, 600V, cat.V. rated, -10 / +70 °C) between all DIRIS Digiware modules.
- ⚠ Do not put USB or RJ45 connectors in contact with hazardous voltage.



DIRIS Digiware M Gateway

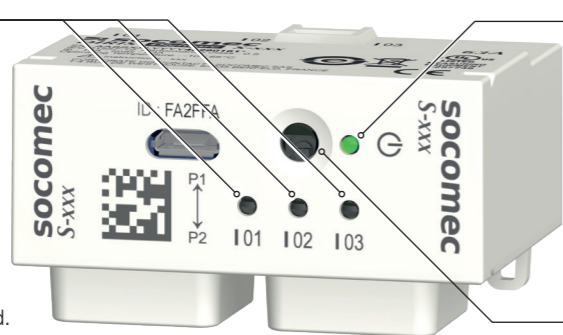
SELV: Safety Extra Low Voltage

⚠ (*) Do not forget to connect earth to the DIRIS Digiware U module.

2 LEDs

I01, I02, I03 LEDs

	Fixed	Blinking
Red	No voltage detected	Pulse metering (*)



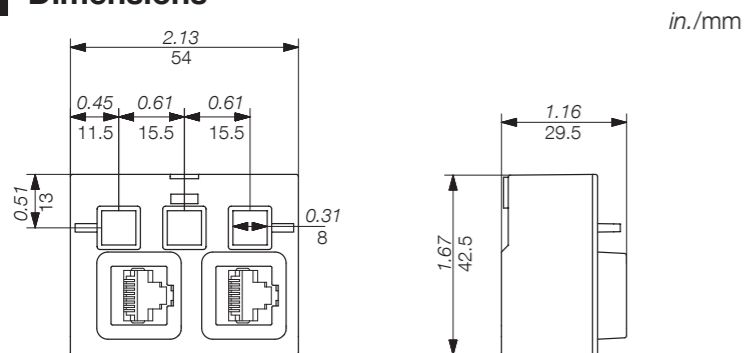
Device main LED

	Fixed	Blinking
Green	ON	Product in communication
Red	Measurement alarm	System alarm
Orange	Address conflict	-

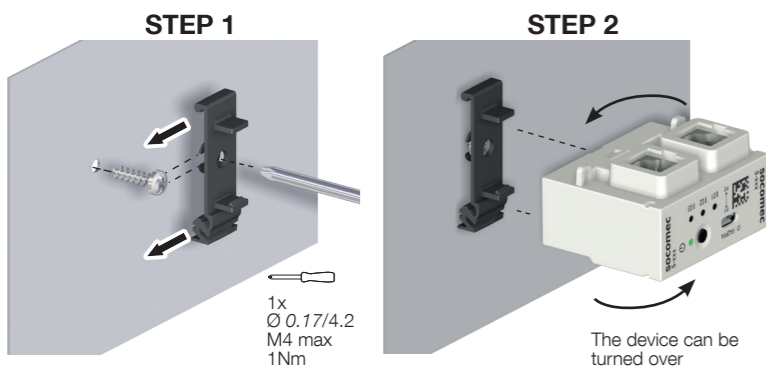
Addressing button

(*) Only if Pulse metering function is activated.
Pulse meter weight = 1Wh

3 Dimensions

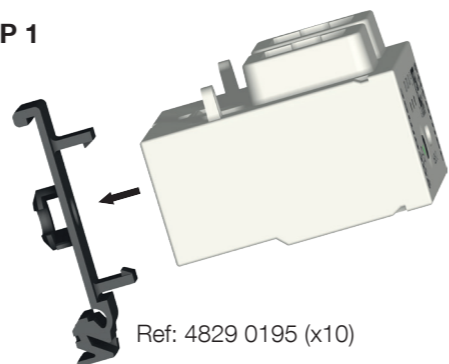


4a Plate Mounting

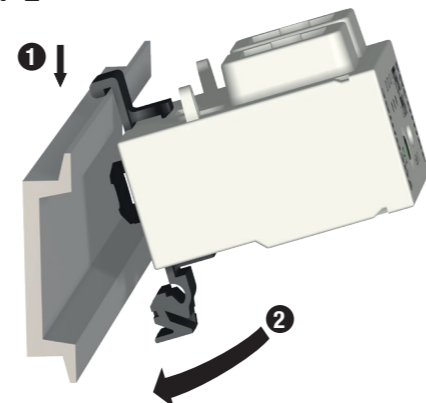


4b DIN-rail Mounting

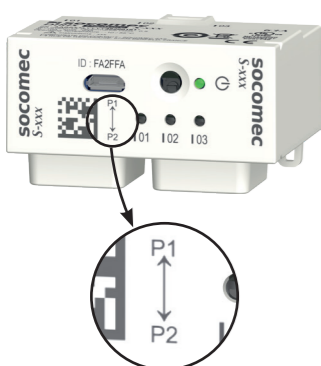
STEP 1



STEP 2



5 Positioning



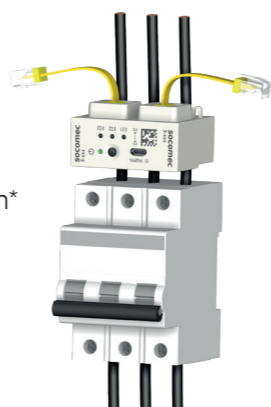
Downstream

P1: Source
CT direction* (+)
P2: Load



Upstream

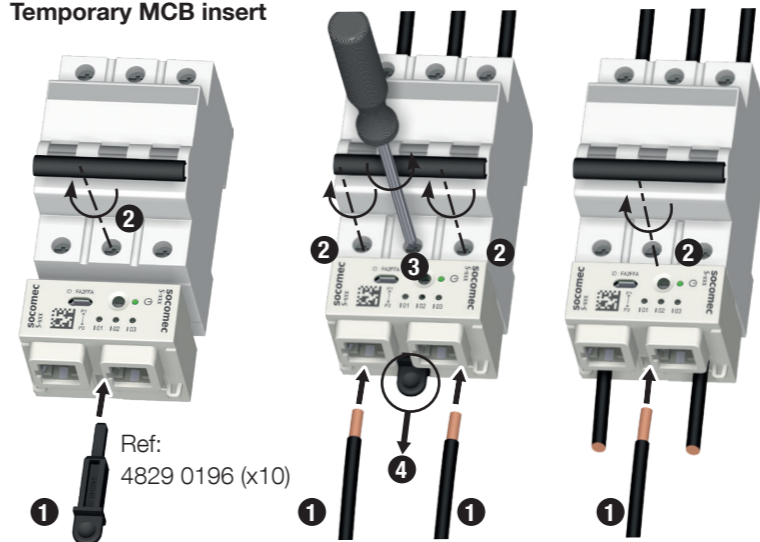
P2: Source
CT direction* (-)
P1: Load



* CT direction (P1->P2 by default) and phase sequencing (L1-L2-L3 by default) can be changed in the configuration of the device.

6 Holding

Temporary MCB insert



In addition to this Quick Start Guide, please refer to the operating instructions of the protective device.

Cable tie tethers



7 Main network connections and loads

DIRIS Digiware S

Each current input setting is individual, see below some examples:

