

NETYS PR

High density, compact power protection on rack
1000 and 1500 VA - Rack 1U

Prime



The solution for

- > Professional and IT equipment
- > Servers and networking devices
- > CAD / graphic workstations with monitors and peripherals
- > Control systems

Technology

- > VI "line interactive" with AVR, sine wave

Certifications and attestations



A professional UPS

- Designed for professional environments, protection against power cuts and over voltage is ensured by Line Interactive technology with Automatic Voltage Regulation (AVR).

An installation adapted to the networking environment

- NETYS PR rack provides high power density (1U - 45 mm) which conserves valuable space in the rack for other equipment.
- Can be easily installed in 19" and 23" Rack cabinets, depending on the user's needs. The UPS is provided with rails and mounting accessories.

Adapted connections

- Easy connections to the applications via 4 IEC 320 (IT standard) sockets.

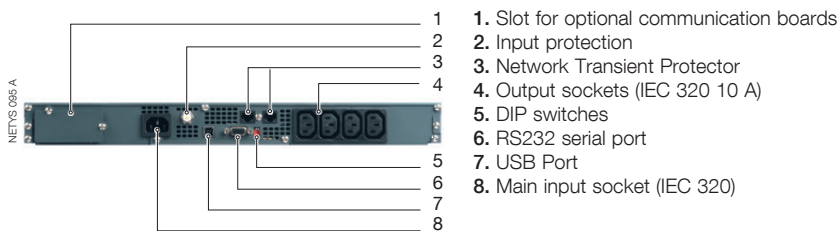
Data line protection

- With RJ45 connector.

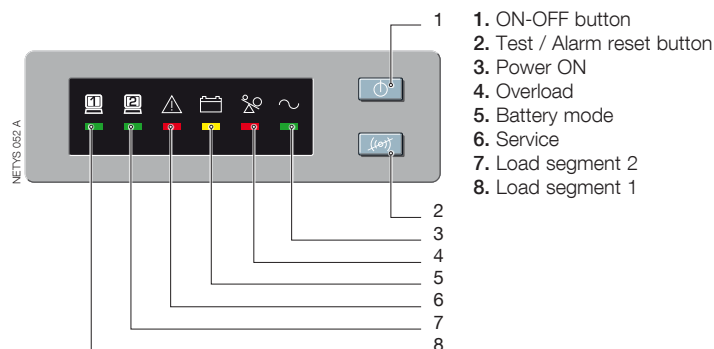
Communication with the computer system

- RS232 or USB advanced connections for the management of the power supply and local / remote shutdown of applications.
- Advanced diagnostics and remote control via various protocols and user environments: JBUS, HID, SNMP, TCP/IP.

Connections



Control panel



Battery Hot-swap

- Battery can be hot-swapped without having to shut down the connected equipment.
- Battery can be replaced from the front without removing and disconnecting the UPS.
- Battery check system and replacement indicator.



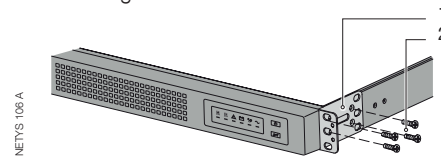
Technical data

NETYS PR Rack 1U		
Model	NET1000-PR-1U	NET1500-PR-1U
Sn	1000 VA	1500 VA
Pn	670 W	1000 W
Input/output	1/1	
INPUT		
Rated voltage	230 V (default), 220 V, 230 V, 240 V selectable	
Rated frequency	50/60 Hz auto-sensing	
OUTPUT		
Rated voltage	230 V	
Rated frequency	50/60 Hz	
Sockets	4 x IEC 320 (10 A)	
Data line protection	NTP data line suppressor: RJ45 10 Base T	
BATTERIES		
Type	sealed lead-acid maintenance free - expected life 3/5 years	
Back-up time ⁽¹⁾	12 min	
COMMUNICATION		
Interfaces	RS232 - USB	
Local communication software	Local View	
UPS CABINET		
Dimensions W x D x H	440 x 578 x 44.5 mm	
Weight	21 kg	23 kg
STANDARDS		
Safety	IEC/EN 62040-1, AS 62040.1.1, AS 62040.1.2	
EMC	IEC/EN 62040-2, AS 62040.2	
Product declaration	CE, RCM (E2376), UKCA	

(1) PC + 15" LCD monitor.

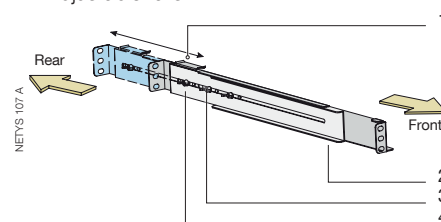
Included

- Mounting bracket for 19" rack



1. Mounting bracket
2. M3 x 6 bracket screws

- Adjustable rails



1. Rear Hold-Down Bracket
2. Rail assembly
3. Assembly Wing Nuts
4. Wing nut for rear Hold-down bracket

Standard communication features

- 1 slot for communication options.
- USB port for UPS management based on HID protocol.
- MODBUS RTU (RS232).
- LOCAL VIEW software for local UPS monitoring and shutdown for Windows, Linux and MAC Osx.

Communication options

- Dry-contact interface.
- NET VISION: professional WEB/SNMP Ethernet interface for secure UPS monitoring and remote automatic shutdown.
- Environmental Monitoring Device (EMD).
- REMOTE VIEW PRO supervision software.