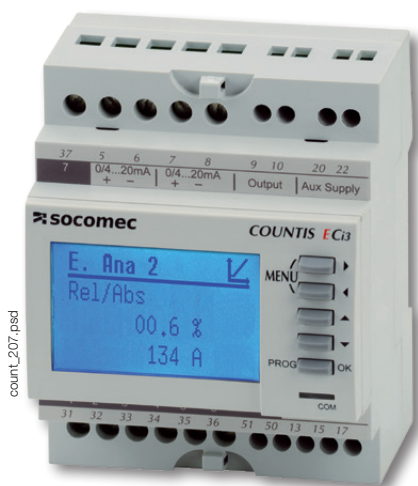


# COUNTIS ECix

multifluid pulse concentrator



COUNTIS ECi3

## The solution for

- Data centres
- Industry
- Infrastructure



## Strong points

- Up to 7 multifluid meters and 2 analogue sensors
- Load curves
- RS485 MODBUS communication
- Improved customisation

## Management software

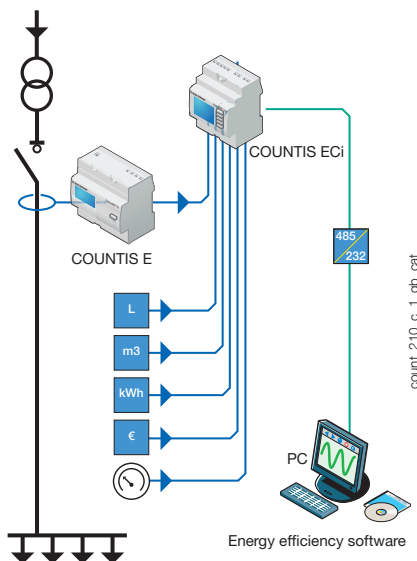
- To get the most effective use from your Socomec measurement and metering devices, we offer a range of dedicated software tools.

## Function

The **COUNTIS ECix** is a multifluid pulse concentrator which communicates via an RS485 link using MODBUS protocol.

It enables pulses from water, gas, compressed air, electricity meters and, for the COUNTIS ECi3, the output of analogue sensors (light, temperature, wind etc.) to be registered and stored. All data, ie. total and partial meters and load curves (available for all logical and analogue inputs) can be centralised via RS485 communication using MODBUS protocol.

## Principle diagram



## Advantages

### Up to 7 multifluid meters and 2 analogue sensors

- 7 digital inputs + 2 analogue inputs.
- Total, partial and programmable metering (day, week, month, year).

### Load curves

Load curves are available for each of the 7 logical inputs.

A history of average values are available for the 2 analogue inputs (ECi3).

### RS485 MODBUS communication

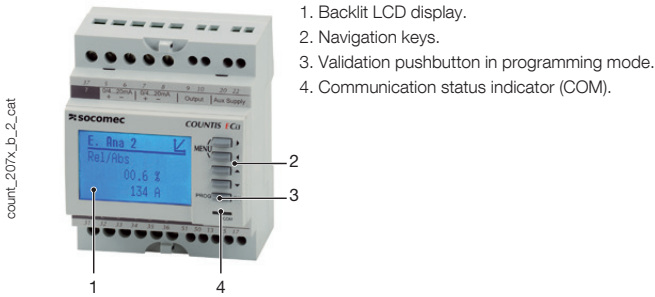
- Centralisation and transmission of pulse and analogue data to a supervision station.
- Remote configuration of COUNTIS ECi3 device.

### Improved customisation

- Selection of the measuring unit: kWh, m<sup>3</sup>, liters.
  - Selection of the currency unit: €, K€, £, \$.
- Values can be displayed in the unit of your choice and energy costs can be directly calculated.

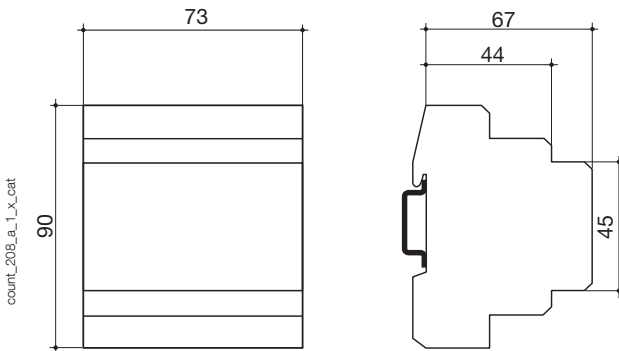
Models	Key characteristics
ECi2	7 insulated inputs
ECi3	7 insulated inputs + 2 analogue inputs.

## Front panel



1. Backlit LCD display.
2. Navigation keys.
3. Validation pushbutton in programming mode.
4. Communication status indicator (COM).

## Dimensions (mm)

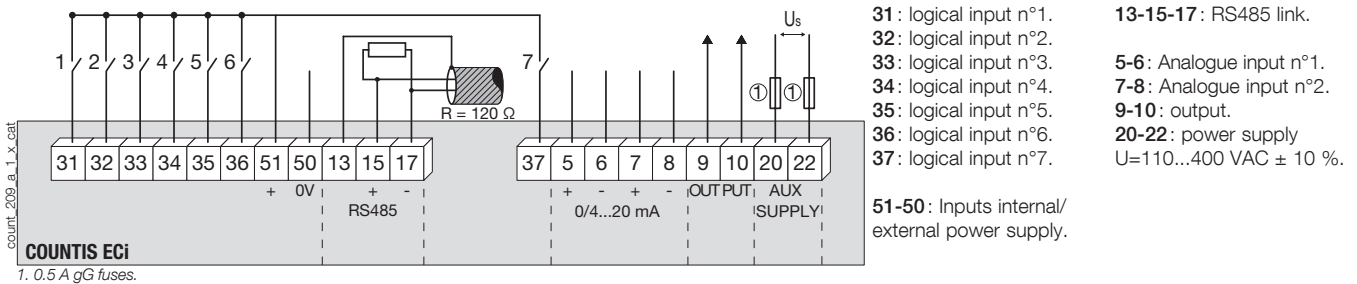


Type	modular
Number of modules	4
Dimensions W x H x D	73 x 90 x 67 mm
Case degree of protection	IP20
Front degree of protection	IP51
Display type	backlit LCD display
Terminal blocks type	fixed
Rigid cable cross-section	1 ... 10 mm <sup>2</sup>
Flexible cable cross-section	0.5 ... 6 mm <sup>2</sup>
Weight	215 g

## Characteristics

Auxiliary power supply	
Self-supplied	no
Alternating voltage	110 / 400 VAC
Direct voltage	120 / 300 VDC
Tolerance	± 10 %
Frequency	45 / 65 Hz
Consumption	5 VA
Insulation voltage	3.5 kV
Communication	
Link	RS485
Type	2 ... 3 half duplex wires
Protocol	MODBUS RTU
MODBUS <sup>®</sup> speed	9600 ... 38400 bauds
Inputs	
Number	7
Control voltage (integrated)	10 ... 30 VDC
Minimum signal width	10 ms
Maximum signal width	2 s
Minimum duration between 2 pulses	30 ms
Edge triggering	rising
Analogue inputs (ECi3)	
Number	2
Current	25 mA
Accuracy	0.5 %
Response time	500 ms
Input resistance	200 Ω
Consumption	0.1 VA
Operating conditions	
Operating temperature	-10 ... +55 °C
Storage temperature	-20 ... +70 °C
Relative humidity	95 %

## Connection



## References

Auxiliary power supply U <sub>s</sub>	COUNTIS ECi2 Reference	COUNTIS ECi3 Reference
230 / 400 VAC	4853 0000	
230 / 400 VAC + 2 analogue inputs		4853 0001
Accessories	To be ordered in multiples of	Reference
Door mounting kit		192J 8015
Fuse disconnect switches to protect the 1-pole + neutral auxiliary power supply (RM type)	6	5701 0017
gG 10x38 0,5 A fuses	10	6012 0000