


| TECHNICAL CHARACTERISTICS | DIRIS DIGIWARE D-50 | DIRIS DIGIWARE D-70 |
|--------------------------------------|---|---------------------|
| MECHANICAL CHARACTERISTICS | | |
| 10 buttons | Capacitive touch technology | |
| Screen resolution | 350 x 160 pixels | |
| Device type | Multi-point display and communication gateway | |
| COMMUNICATION CHARACTERISTICS | | |
| Ethernet RJ45 10/100 Mbs | Ethernet Gateway: Modbus TCP, Bacnet IP, SNMP v1, v2, v3 & Traps | |
| Embedded software | WEB-CONFIG | WEBVIEW-M |
| Number of slaves | Max 32 devices displayed | |
| RJ45 Digiware bus | Input | |
| RS485 2-3 wires | Configurable as input (Master) or output (Slave) | |
| Speed | 9600 bds (10 devices max) / 38400 bds - 115200 bds (32 devices max) | |
| Micro USB | Configuration via Easy Config System software | |
| BLUETOOTH LOW ENERGY | | |
| Use | Visualisation of data from Socomec Bluetooth sensors | |
| Operating frequency | 2402 to 2480 MHz | |
| EIRP Power | EIRP Power for CE: 6.23 dBm (measured max average) | |
| Max. Power for FCC/IC | 3.15 dBm | |
| DIMENSIONS | | |
| External dimensions | 3.78x3.78 in / 96x96 mm | |
| Door cut-out | 3.62x3.62 in / 92x92 mm | |
| Depth | 1.77 in / 45 mm | |
| ELECTRICAL CHARACTERISTICS | | |
| Supply | 24 VDC +/- 15%, Class 2 - 20 W max | |
| Supply protection | Integrated into SOCOMEC supply (ref. 48290120) or use 24 VDC 1 A fuse | |
| Consumption | 2.5 VA | |
| ENVIRONMENTAL CONDITIONS | | |
| Use | Indoor | |
| Storage temperature | -40 ... +70 °C | |
| Operating temperature | -10 ... +55 °C | |
| Humidity | 95 % at 40 °C | |
| Maximum operating altitude | 2000 m | |
| Pollution degree | 2 | |

7 Display LEDs

| | |
|---|---|
|  | ALARM* (red) <ul style="list-style-type: none"> - Off: no active alarm - Stable: at least one alarm (measurement, logical, protection) is active on connected device - Flashing: at least one system alarm is active on the display or a connected device <p><i>*Go to the EVENTS menu for details on active alarms</i></p> |
| | COM (orange) <ul style="list-style-type: none"> - Off: display is not communicating with downstream devices - Stable: address conflicts during auto-discovery process - Flashing: communication in progress with a downstream device (RS485 or Digiware) |
| | ON (green) <ul style="list-style-type: none"> - Off: display is not powered - Stable: device is powered |

8 Webserver access

Type in the display's IP address in your web browser. Default IP address is **192.168.0.4**

| PROFILE | DEFAULT PASSWORD |
|----------------|------------------|
| User | (No password) |
| Advanced user | Advanced |
| Admin | Admin |
| Cyber Security | Cyber |



For cyber security reasons, it is highly recommended that you change default passwords for Advanced user, Admin and Cyber Security profiles.

The display's ALARM LED will be flashing to indicate the presence of an active "Expired password" alarm until all passwords are changed or until the alarm is disabled from the Easy Config System software.

QUICK START GUIDE



Multi-point display - RS485, ETHERNET & BLE DIRIS Digiware D-50 & D-70



This symbol indicates that the full instruction manual, declaration of conformity EU-type examination certificate are available on the Socomec website:
www.socomec.com/operating-instructions

www.socomec.com



Please consult safety warning (ref. 546660) before installing the devices.

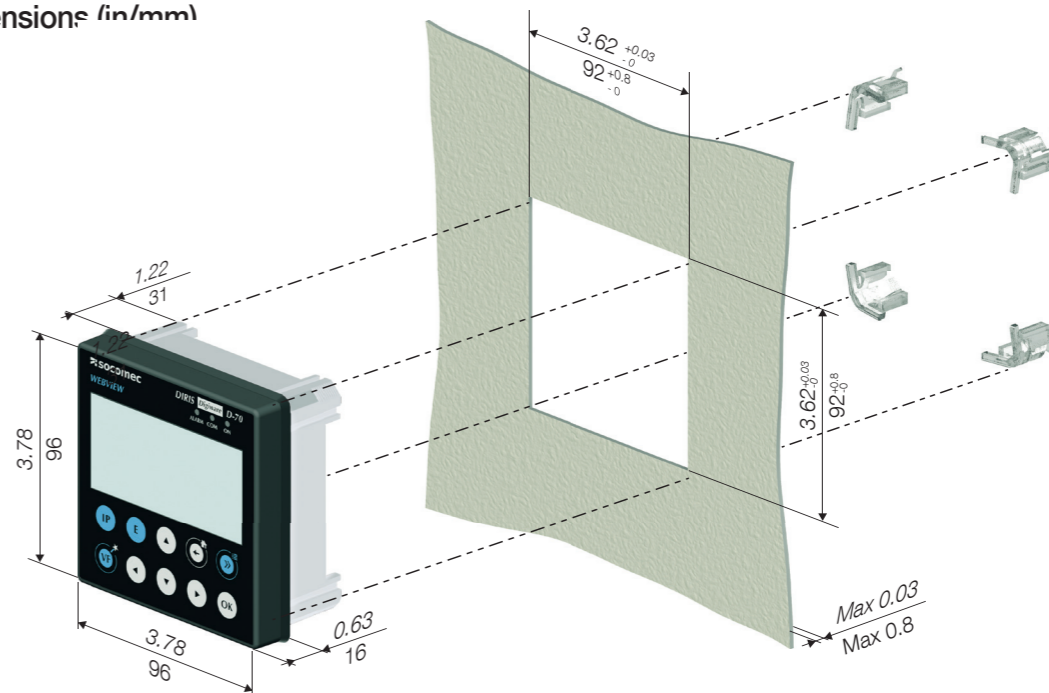


Multi-point display with Bluetooth Low Energy
DIRIS Digiware D-50 BLE
Ref. 48290206

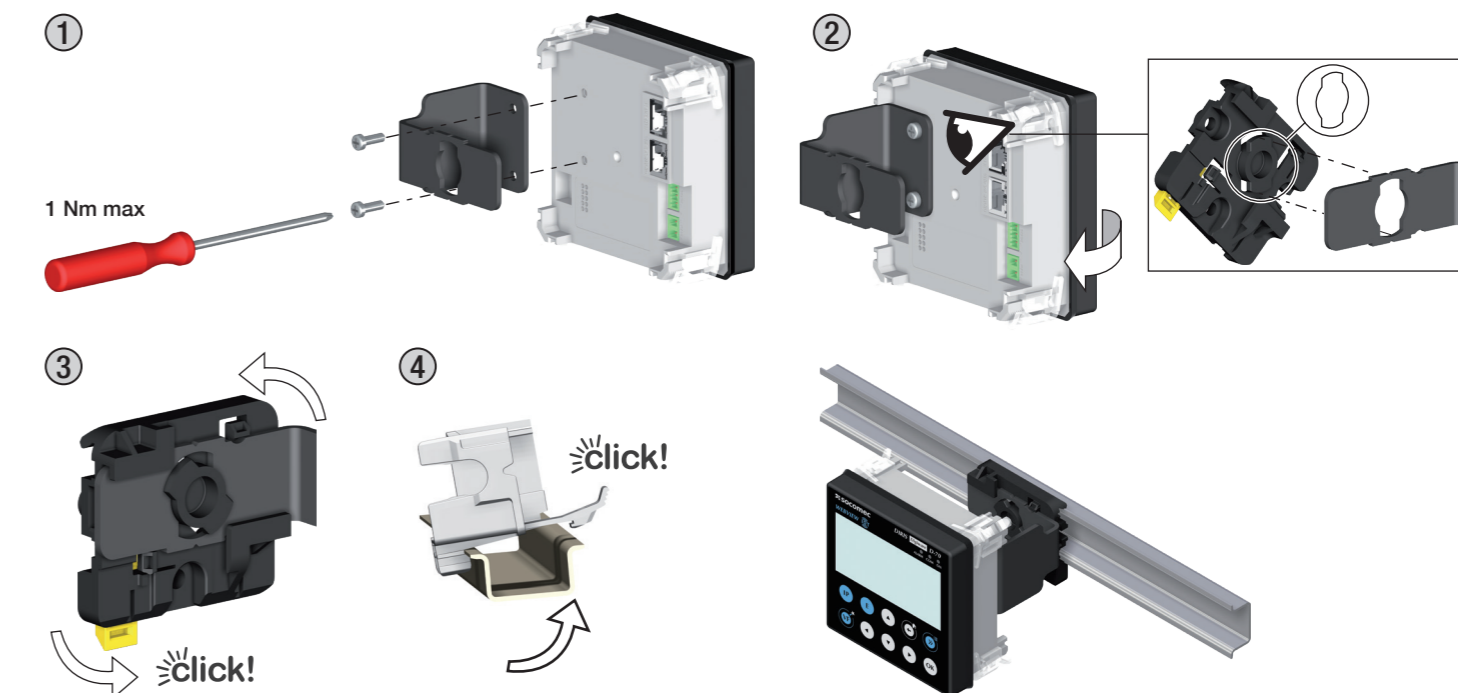


Multi-point display with WEBVIEW-M and Bluetooth Low Energy
DIRIS Digiware D-70 BLE
Ref. 48290207

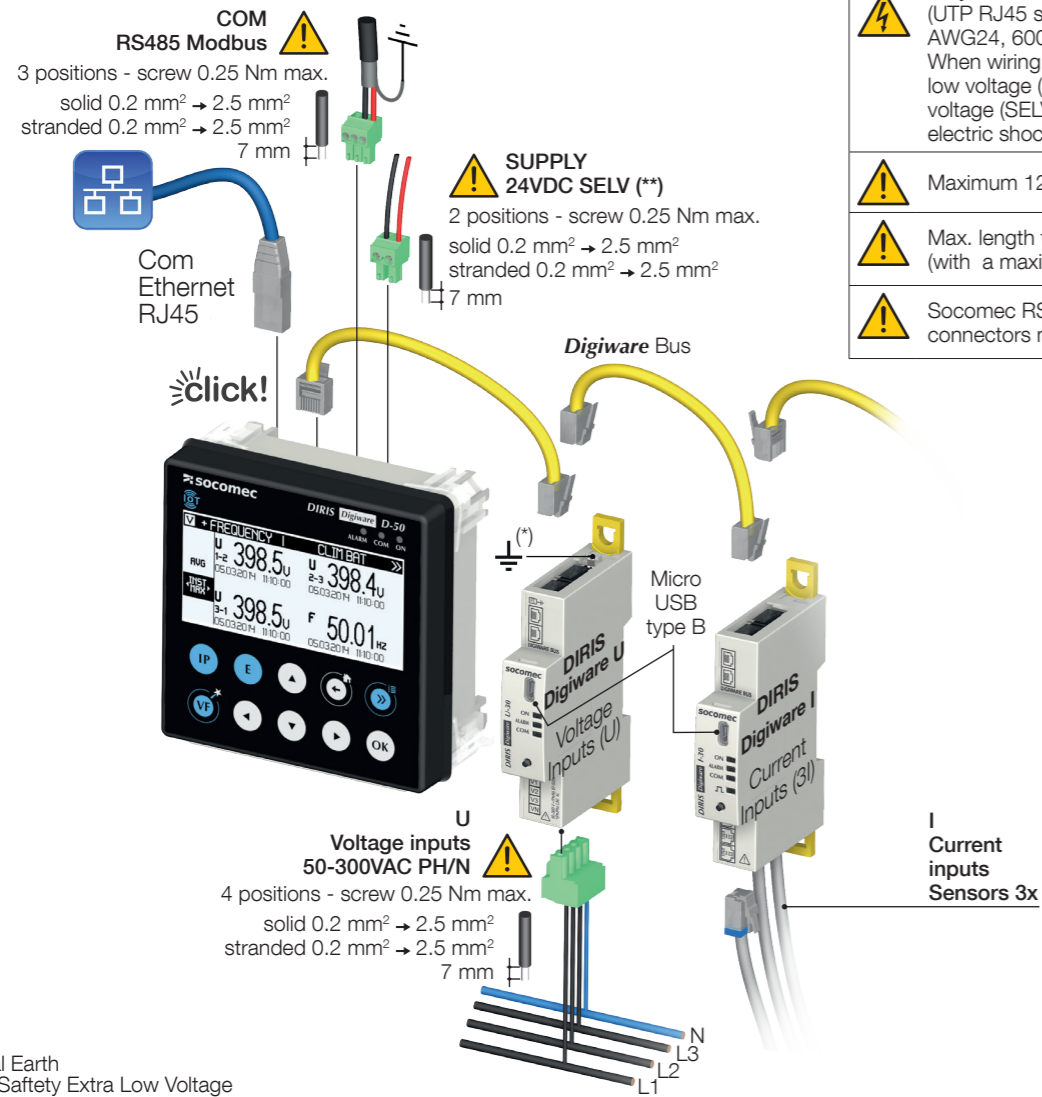
1 Dimensions (in/mm)



2 DIN rail mounting kit (separate part number: 48290230)



3 System wiring

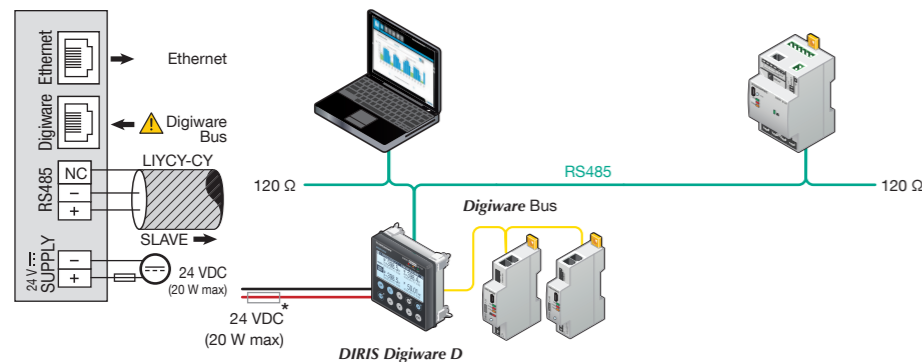


- ⚡ Only use a SOCOMEC Digiware bus cable (UTP RJ45 straight, twisted pair, unshielded, AWG24, 600V CAT V -10 ... +70°C). When wiring, make sure you separate the low voltage (LV) section and the very low voltage (SELV) section to prevent any risk of electric shock.
- ⚠ Maximum 1200 m for RS485 bus
- ⚠ Max. length for Digiware bus = 300 m (with a maximum of 2 C-32 repeaters)
- ⚠ Socomec RS485 and 24 VDC input connectors must be used.

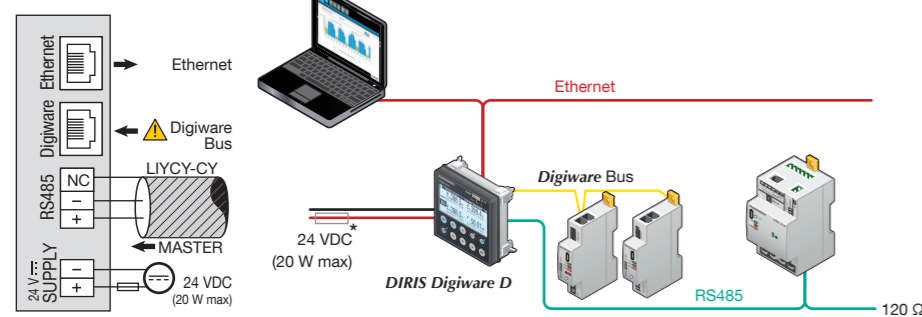
(*) Functional Earth
(**) SELV = Safety Extra Low Voltage

4 Communication diagrams

RS485 slave mode



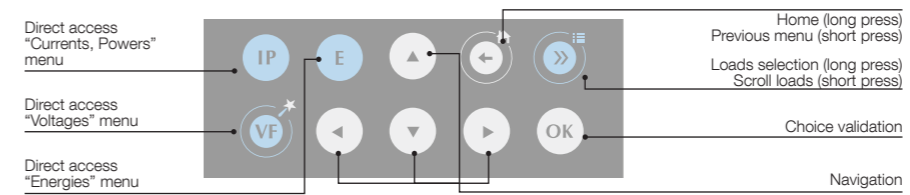
RS485 master mode



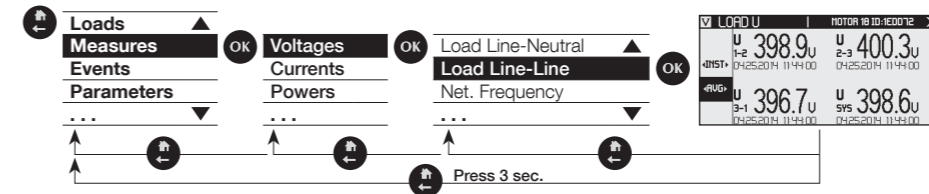
(*) If the 24 VDC power supply is not provided by Socomec, a 1 A / 24 VDC fuse must be used. For North America, the use of recognized fuses is mandatory. All inputs/outputs are considered as SELV (Safety Extra-Low Voltage).

5 Operating

Human Machine Interface



Navigation principle



Menu structure

| LOADS | | |
|--------------|------------------------------------|---|
| | | Load Line-Neutral Load Line-Line Net. Frequency Net. Line-Neutral Net. Line-Neutral Unbalance Net. Line-Neutral Harmonics Net. Line-Neutral Crest Factor Net. Line-Line Net. Line-Line Unbalance Net. Line-Line Harmonics Net. Line-Line Crest Factor |
| | VOLTAGES | |
| | CURRENTS | Currents Current System Currents Unbalance Currents THD Currents K Factor Currents Harmonics Currents Crest Factor |
| | POWERS | Active Powers Reactive Powers Apparent Powers Predictive Powers Power Factors Cos Phi Tan Phi |
| | ENERGIES | Positive Active Energies Negative Active Energies Positive Reactive Energies Negative Reactive Energies Positive/Negative Reactive Lead/Lag Energies Apparent Energies |
| | PULSE METERS | |
| | RESET ALL MIN/MAX VALUES | |
| | DIGITAL INPUT | |
| | DIGITAL OUTPUT | |
| | ANALOGUE INPUT | |
| INPUT/OUTPUT | | |
| PROTECTION | | |
| | IN PROGRESS | |
| EVENTS | HISTORY | Alarms Quality |
| | DISPLAY | Language Date format RS485 communication: Mode (master/slave), Baudrate, Stop, Parity, Address Ethernet communication: DHCP, IP Address, Mask, Gateway Set remote Device Date/Time: Date format, Date separator Change Password |
| | CONFIGURE A DEVICE | |
| PARAMETERS | AUTODETECT SERIAL DEVICES | Status Found/Conflict Digiware addressing range: Start address, End address, Addr. Set Method (Autoset or Push button) Method: Fast or Full |
| | LIST PRODUCTS | |
| | ADD NEW DEVICE | Type: RS485 / Digiware, IP Address |
| | REMOVE DEVICE | |
| | RESTORE A PRODUCT FACTORY SETTINGS | |
| | PRODUCTS SOFT VERSION | |
| | ETHERNET | IP address Host name |
| | SERIAL COM | RS485 comm status Digiware comm status Devices comm OK Devices comm NOK Restart serial comm analysis |
| DIAGNOSIS | NETWORK TIME | NTP Current Date/Time Last activity |
| | EMAIL | SMTP Last activity |
| | FTP CLIENT | FTP Last activity |
| | DATALOGGER | Consumptions Trends Alarms |
| ABOUT | IP ADDRESS | |
| | MAC ADDRESS | |
| | SERIAL NUMBER | |
| | SOFTWARE VERSION | |
| | REBOOT | |