

## ***DELPHYS MX ELITE+ - IP31 KIT***

60-200 kVA

300-400 kVA

500-600 kVA



Socomec Resource Center  
To download, brochures, catalogues  
and technical manuals












---

# CONTENTS

1. SAFETY STANDARDS.....	3
2. BILL OF MATERIALS .....	4
2.1. Parts list for IP31 installation (60 - 200 kVA) .....	4
2.2. Parts list for IP31 installation (300 - 400 kVA) .....	6
2.3. Parts list for IP31 installation (500 - 600 kVA) .....	8
3. INSTALLATION SEQUENCE .....	11
3.1. Installation sequence for UPS 60 - 200 kVA .....	11
3.1.1. Waterproof Assembly .....	11
3.1.2. Cover plate assembly .....	13
3.1.3. Stainless steel mesh assembly .....	15
3.1.4. Base sealing plate assembly .....	16
3.2. Installation sequence for UPS 300 - 400 kVA .....	18
3.2.1. Waterproof Assembly .....	18
3.2.2. Cover plates assembly .....	20
3.2.3. Stainless steel mesh assembly .....	22
3.2.4. Base sealing plate assembly .....	23
3.3. Installation sequence for UPS 500 - 600 kVA .....	25
3.3.1. Waterproof Assembly for Power Cabinet .....	25
3.3.2. Waterproof Assembly for Switch Cabinet .....	27
3.3.3. Cover plate assembly for Power cabinet .....	29
3.3.4. Cover plate assembly for Switch cabinet .....	31
3.3.5. Stainless steel mesh assembly .....	33
3.3.6. Base sealing plate assembly .....	35

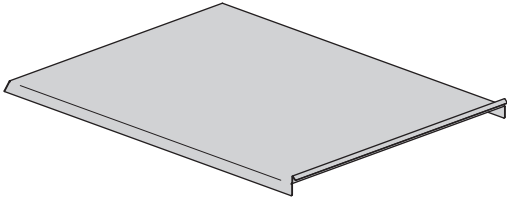
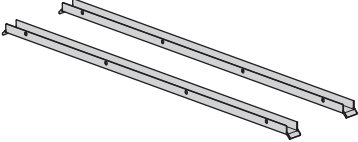
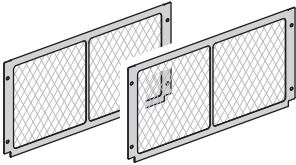
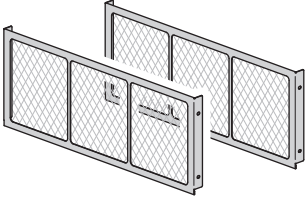
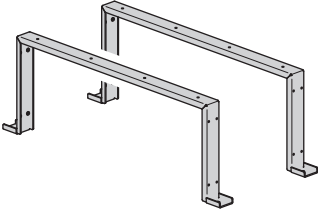
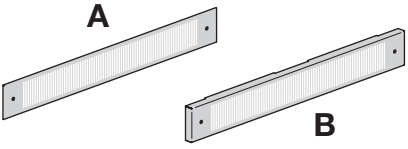
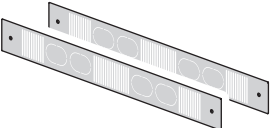
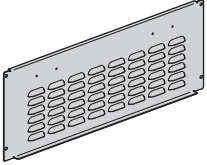
# 1. SAFETY STANDARDS

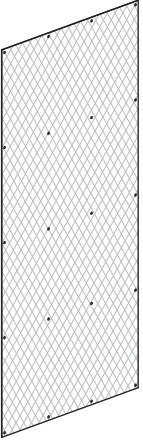

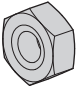

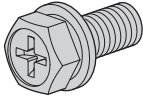
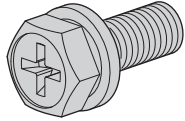
This user manual specifies installation and maintenance procedures, technical data and safety instructions for SOCOMEC. For further information visit the Socomec website: [www.socomec.com](http://www.socomec.com).

	<b>NOTE!</b> Before carrying out any operations on the unit read the installation and operating manual carefully. Keep this manual safe for future reference.
	<b>DANGER!</b> Failure to observe safety standards could result in fatal accidents or serious injury, and damage equipment or the environment.
	<b>CAUTION!</b> If the unit is found to be damaged externally or internally, or any of the accessories are damaged or missing, contact SOCOMEC. Do not operate the unit if it has suffered a violent mechanical shock of any kind.
	<b>NOTE!</b> Install the unit in accordance with clearances in order to allow access to handling devices and guarantee sufficient ventilation (refer to environmental requirement and handling chapter).
	<b>NOTE!</b> Only use accessories recommended or sold by the manufacturer.
	<b>DANGER! RISK OF ELECTRIC SHOCK!</b> Before carrying out any operations on the unit (cleaning and maintenance performances, connection of appliances, etc.) disconnect all power sources.
	<b>DANGER! RISK OF ELECTRIC SHOCK!</b> After disconnecting all power sources wait approx. 5 minutes for the complete discharge of the unit.
	<b>NOTE!</b> Any use other than the specified purpose will be considered improper. The manufacturer/supplier shall not be held responsible for damage resulting from this. Risk and responsibility lies with the system manager.
	<b>NOTE!</b> Read the user instructions carefully. Read the user manual before performing any operations.
	<b>NOTE!</b> Wear protective gloves
	<b>NOTE!</b> Wear safety shoes.
	<b>NOTE!</b> Wear protective goggles.

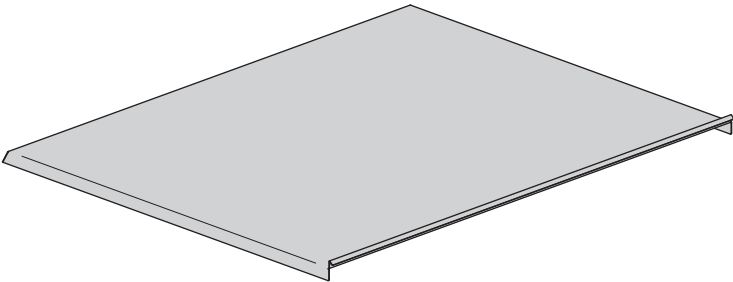
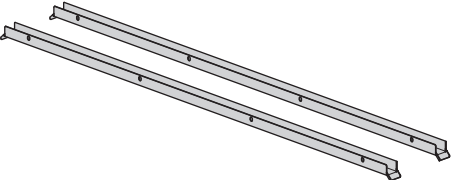
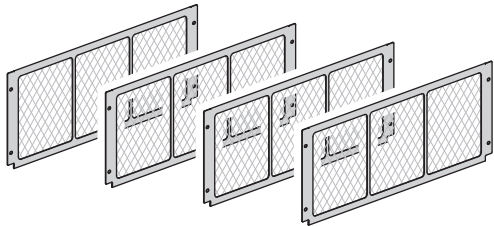
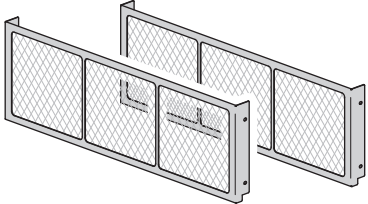
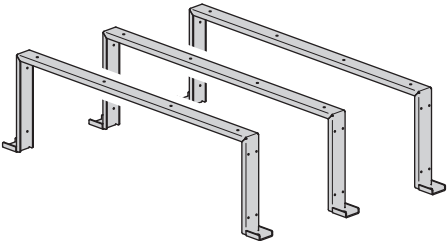
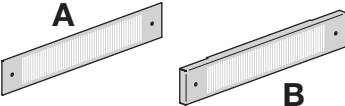
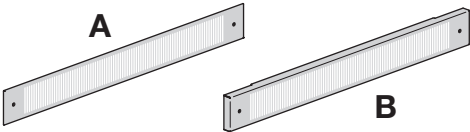
## 2. BILL OF MATERIALS

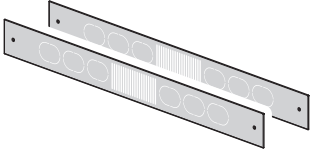
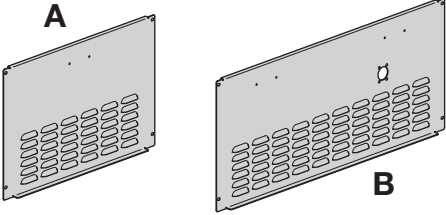
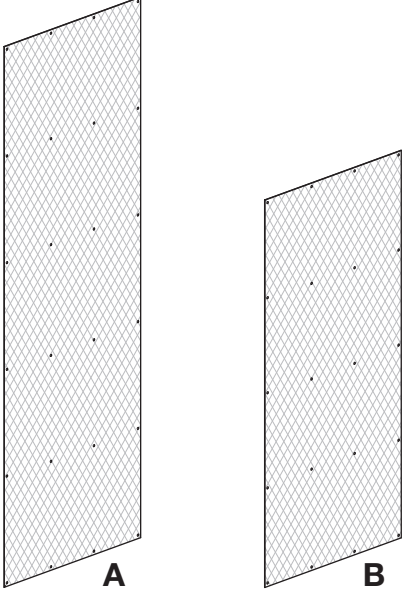

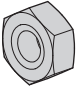

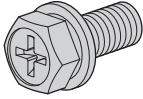
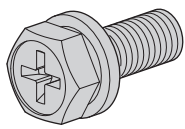
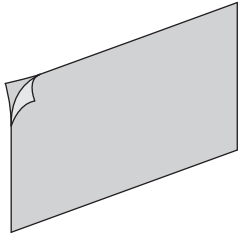
### 2.1. Parts list for IP31 installation (60 - 200 kVA)

	<p><b>1 pcs</b> Waterproof cover</p>
	<p><b>2 pcs</b> Water diversion strips</p>
	<p><b>2 pcs</b> Waterproof grid (Front &amp; Rear)</p>
	<p><b>2 pcs</b> Waterproof grid (Left &amp; Right)</p>
	<p><b>2 pcs</b> Support bracket</p>
 <p><b>A</b></p> <p><b>B</b></p>	<p><b>1 pcs (A)</b> Base sealing plate (Rear)</p> <p><b>1 pcs (B)</b> Base sealing plate (Front)</p>
	<p><b>2 pcs</b> Base sealing plate (Left &amp; Right)</p>
	<p><b>1 pcs (A)</b> Cover plate</p>

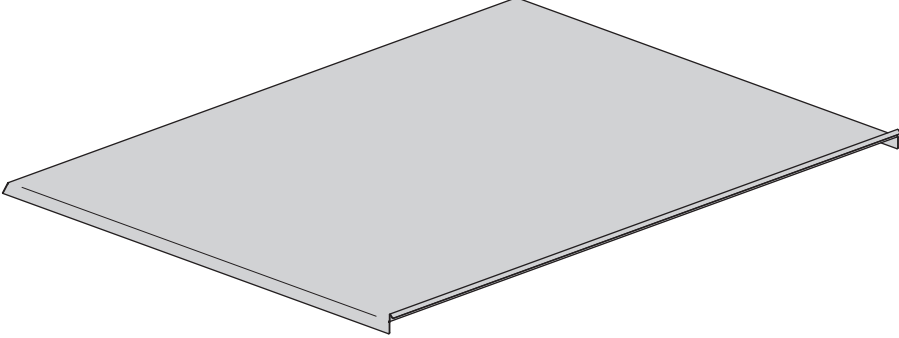
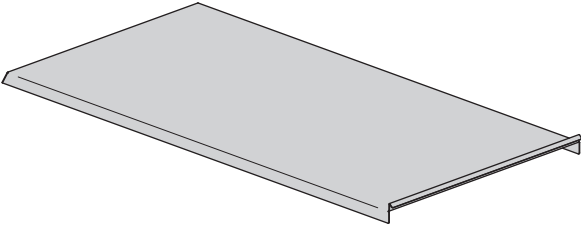
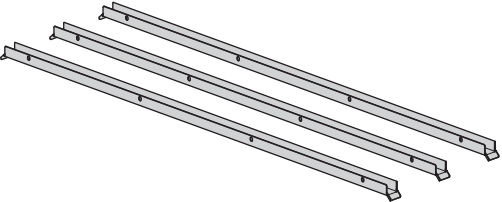
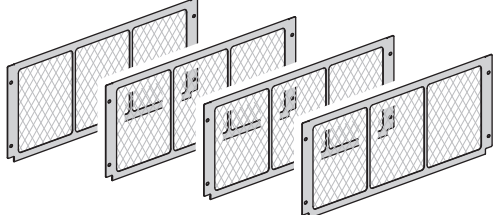

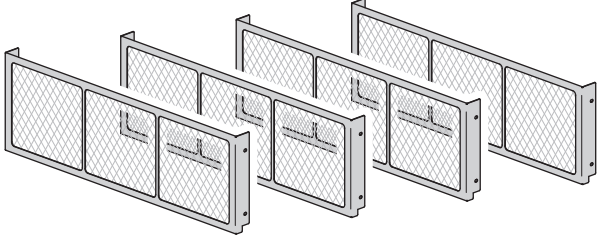
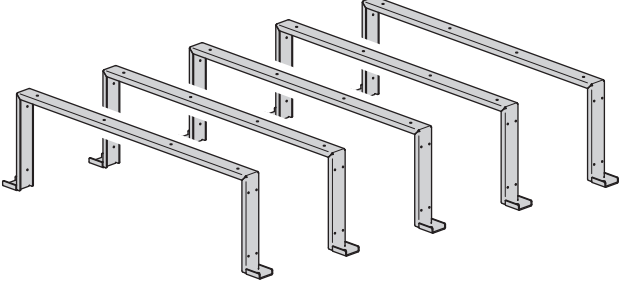
	<p><b>1 pcs</b> Stainless steel mesh</p>
	<p><b>16 pcs</b> M5 Flat washer</p>
	<p><b>16 pcs</b> M5 Nut washer</p>
	<p><b>16 pcs</b> M5 Spring washer</p>
	<p><b>16 pcs</b> Screws M5x12</p>
	<p><b>4 pcs</b> Screws M6x16</p>

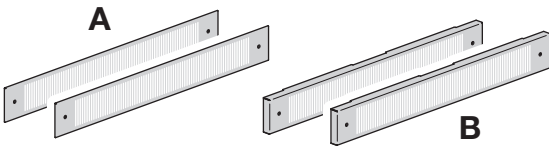
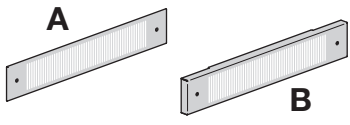
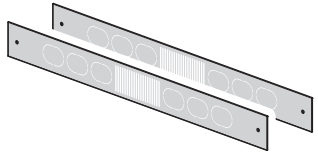
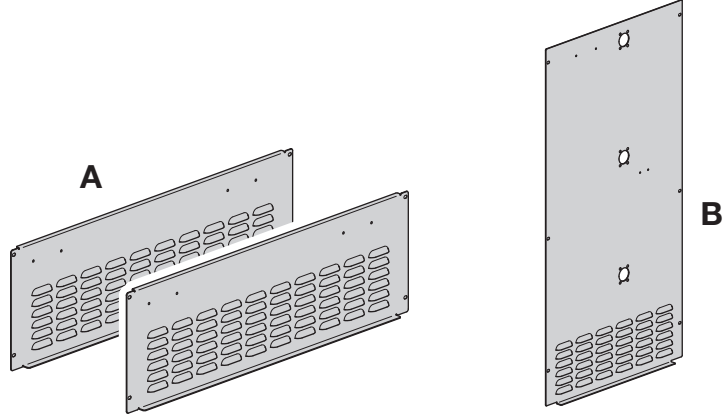
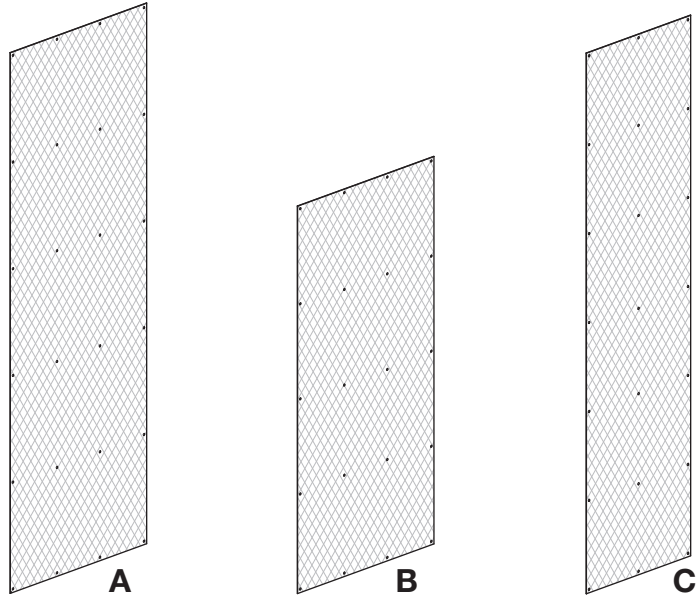
## 2.2. Parts list for IP31 installation (300 - 400 kVA)


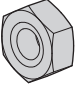

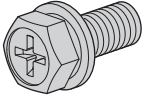
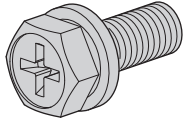
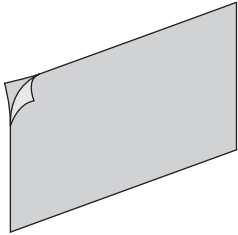
	<p><b>1 pcs</b> Waterproof cover</p>
	<p><b>2 pcs</b> Water diversion strips</p>
	<p><b>4 pcs</b> Waterproof grid (Front &amp; Rear)</p>
	<p><b>2 pcs</b> Waterproof grid (Left &amp; Right)</p>
	<p><b>3 pcs</b> Support bracket</p>
	<p><b>1 pcs (A)</b> Base sealing plate (Left &amp; Rear)</p> <p><b>1 pcs (B)</b> Base sealing plate (Left &amp; Front)</p>
	<p><b>1 pcs (A)</b> Base sealing plate (Right &amp; Rear)</p> <p><b>1 pcs (B)</b> Base sealing plate (Right &amp; Front)</p>

	<p><b>2 pcs</b> Base sealing plate (Left &amp; Right)</p>
	<p><b>2 pcs (A)</b> Cover plate (Left)</p> <p><b>1 pcs (B)</b> Cover plate (Right)</p>
	<p><b>1 pcs (A)</b> Stainless steel mesh of Left door</p> <p><b>1 pcs (B)</b> Stainless steel mesh of Right door</p>
	<p><b>20 pcs</b> M5 Flat washer</p>
	<p><b>20 pcs</b> M5 Nut washer</p>
	<p><b>20 pcs</b> M5 Spring washer</p>
	<p><b>24 pcs</b> Screws M5x12</p>
	<p><b>6 pcs</b> Screws M6x16</p>
	<p><b>1 pcs</b> Labels for 300-400 kVA Power cabinet</p>

## 2.3. Parts list for IP31 installation (500 - 600 kVA)

	<p><b>1 pcs</b> Waterproof cover for Power cabinet</p>
	<p><b>1 pcs</b> Waterproof cover for Switch cabinet</p>
	<p><b>3 pcs</b> Water diversion strips (2pcs for Power cabinet &amp; 1pc for Switch cabinet)</p>
	<p><b>4 pcs</b> Waterproof grid (Front &amp; Rear) for Power cabinet</p>
	<p><b>2 pcs</b> Waterproof grid (Front &amp; Rear) for Switch cabinet</p>
	<p><b>4 pcs</b> Waterproof grid (Left &amp; Right) for both cabinets</p>
	<p><b>5 pcs</b> Support bracket (3pcs for Power cabinet &amp; 2pcs for Switch cabinet)</p>

	<p><b>2 pcs (A)</b> Base sealing plate (Rear) for Power cabinet</p> <p><b>2 pcs (B)</b> Base sealing plate (Front) for Power cabinet</p>
	<p><b>1 pcs (A)</b> Base sealing plate (Rear) for Switch cabinet</p> <p><b>1 pcs (B)</b> Base sealing plate (Front) for Switch cabinet</p>
	<p><b>2 pcs</b> Base sealing plate (Left &amp; Right)</p>
	<p><b>2 pcs (A)</b> Cover plate for Power cabinet</p> <p><b>1 pcs (B)</b> Cover plate for Switch cabinet</p>
	<p><b>1 pcs (A)</b> Stainless steel mesh of Left door for Power Cabinet</p> <p><b>1 pcs (B)</b> Stainless steel mesh of Right door for Power Cabinet</p> <p><b>1 pcs (C)</b> Stainless steel mesh of the door for Switch Cabinet</p>

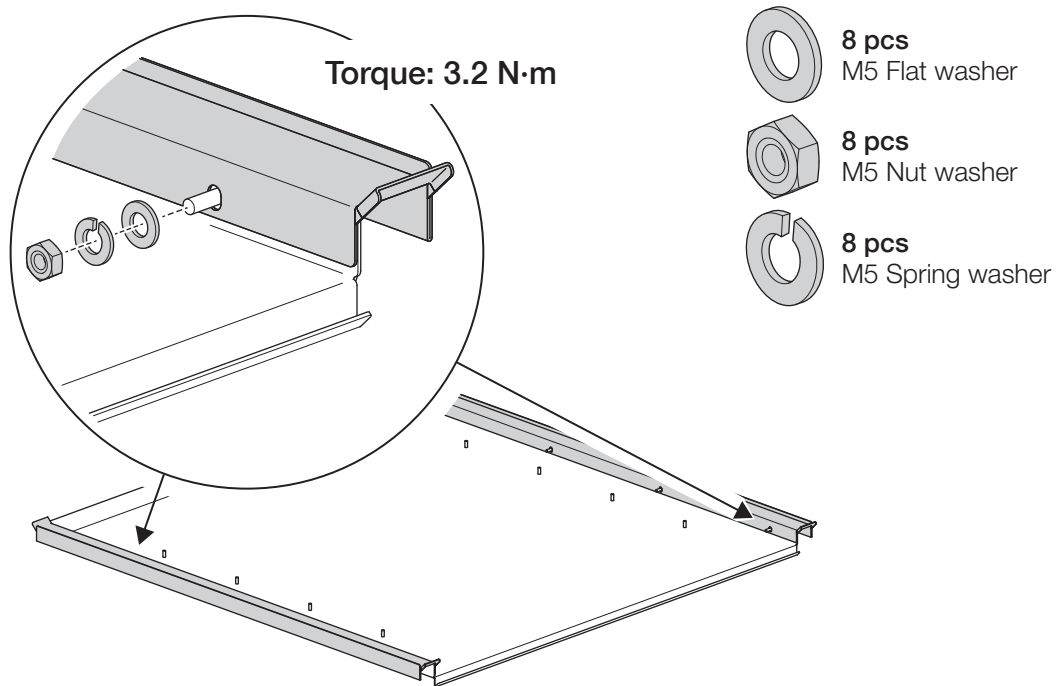
	<p><b>32 pcs</b> M5 Flat washer</p>
	<p><b>32 pcs</b> M5 Nut washer</p>
	<p><b>32 pcs</b> M5 Spring washer</p>
	<p><b>40 pcs</b> Screws M5x12</p>
	<p><b>10 pcs</b> Screws M6x16</p>
	<p><b>1 pcs</b> Labels for 500-600 kVA Switch cabinet</p>

# 3. INSTALLATION SEQUENCE

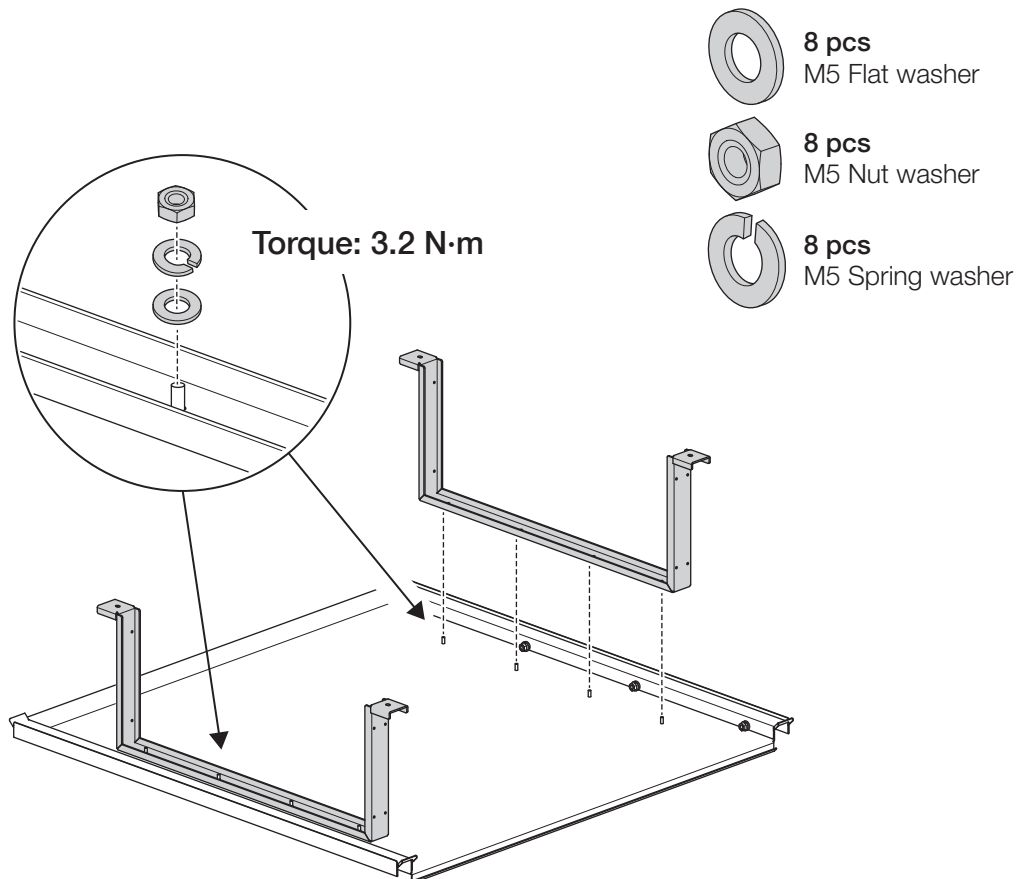
## 3.1. Installation sequence for UPS 60 - 200 kVA

### 3.1.1. Waterproof Assembly

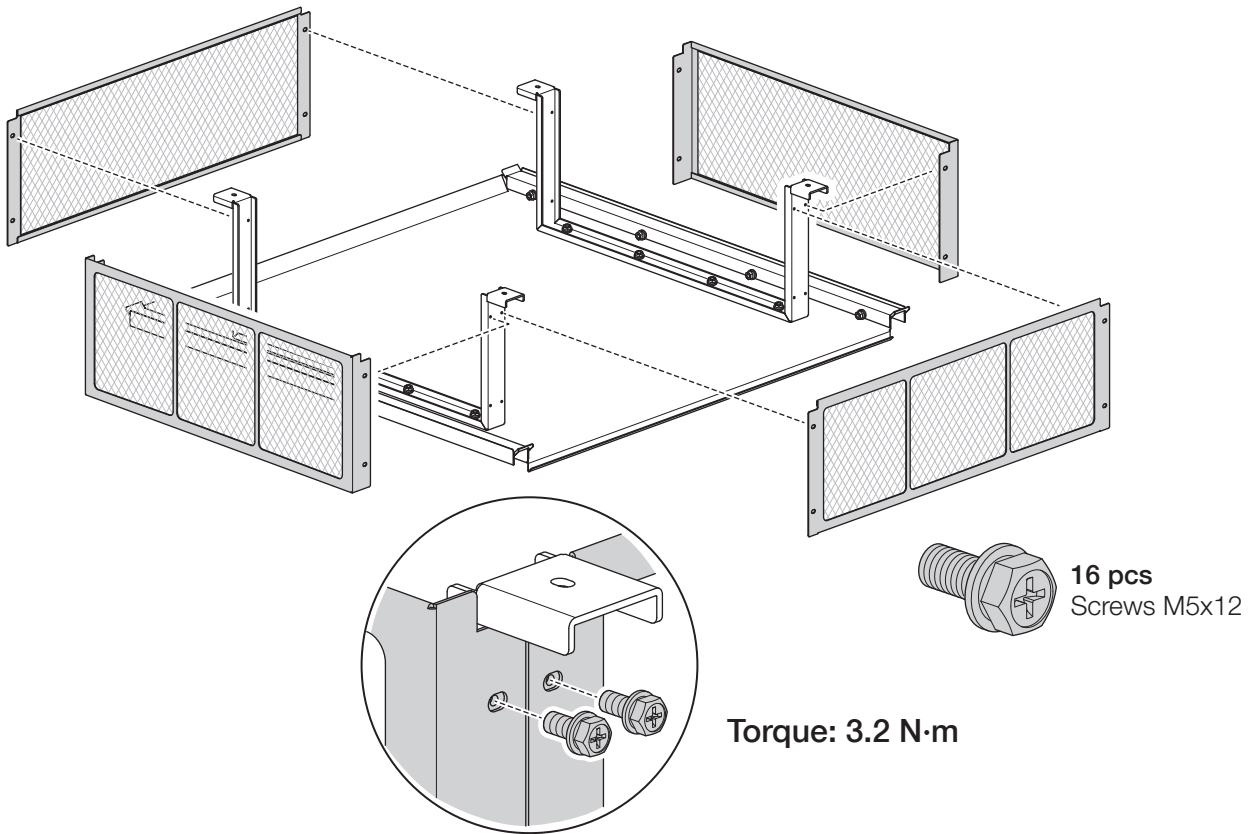
**1** Assemble the Water diversion strips on the Waterproof cover



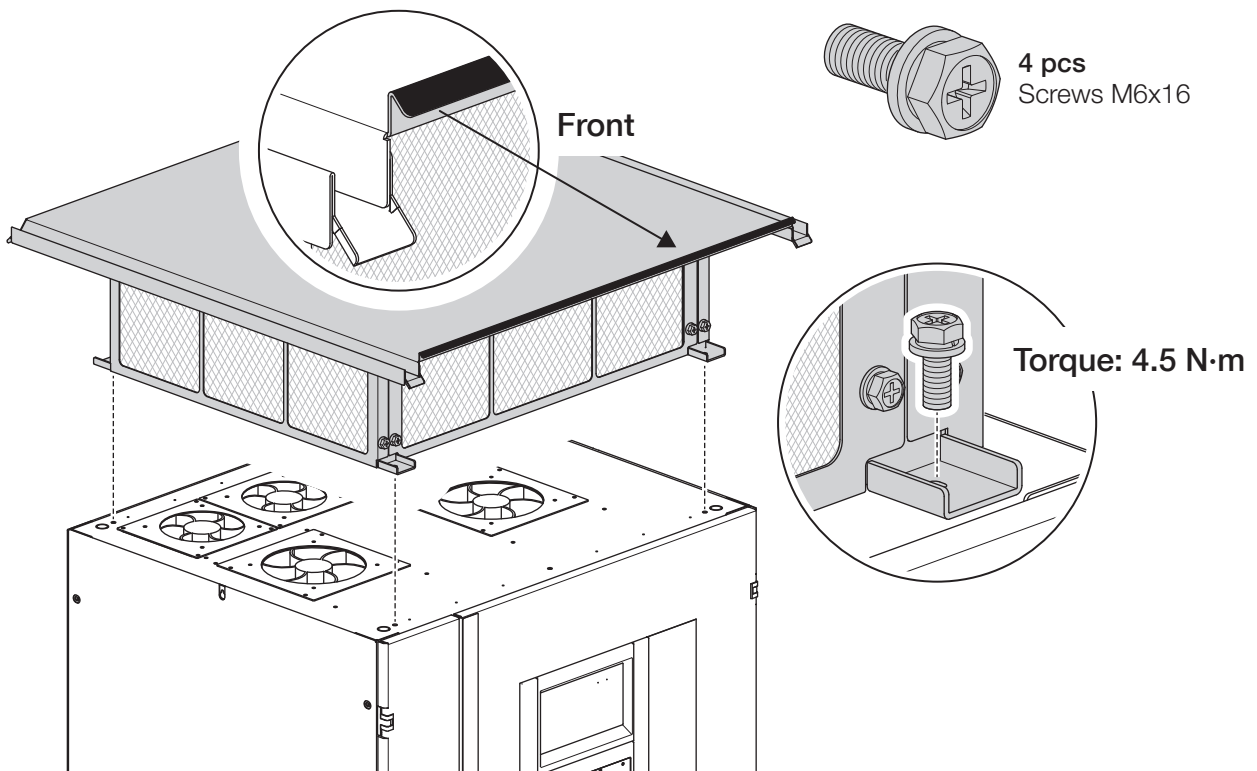
**2** Assemble the support brackets to the cover



**3** Assemble the waterproof grid

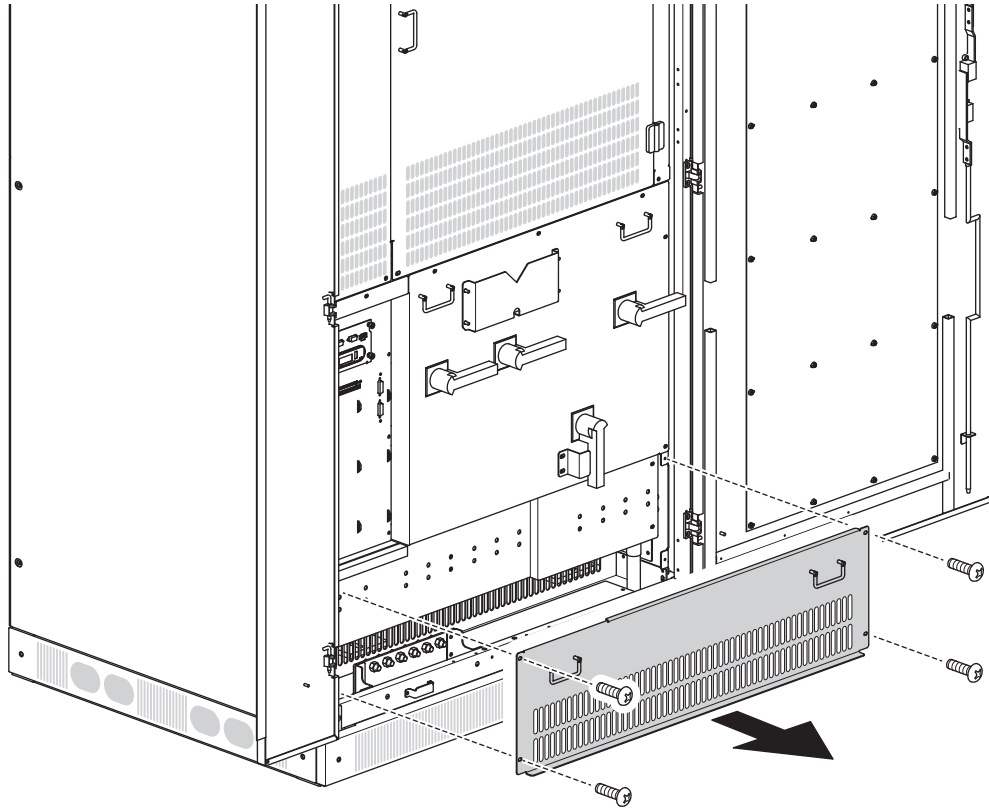


**4** Lay the cover with grid on the top of cabinet and fix tightly with screws

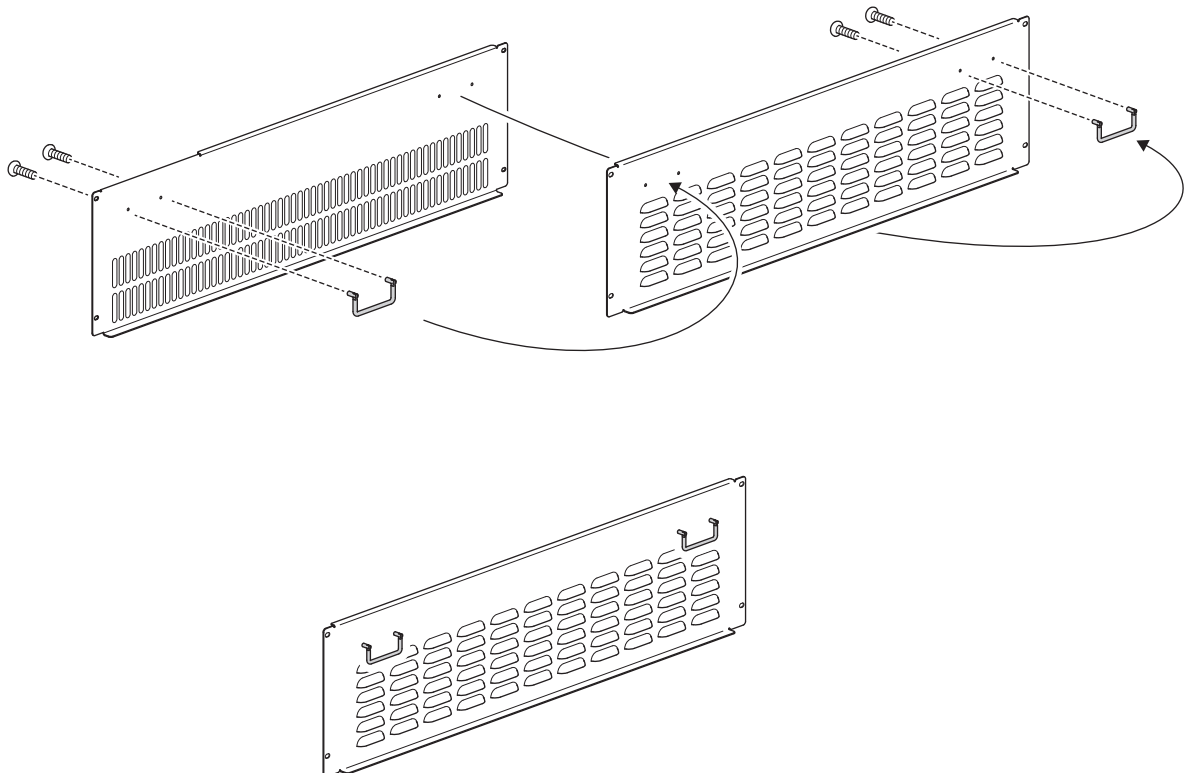


### 3.1.2. Cover plate assembly

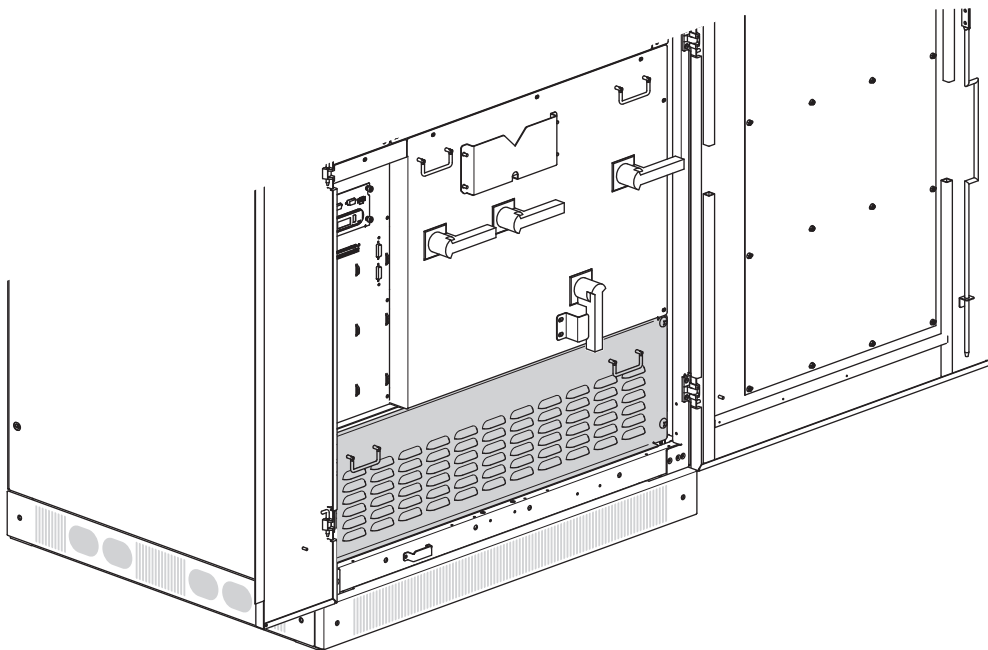
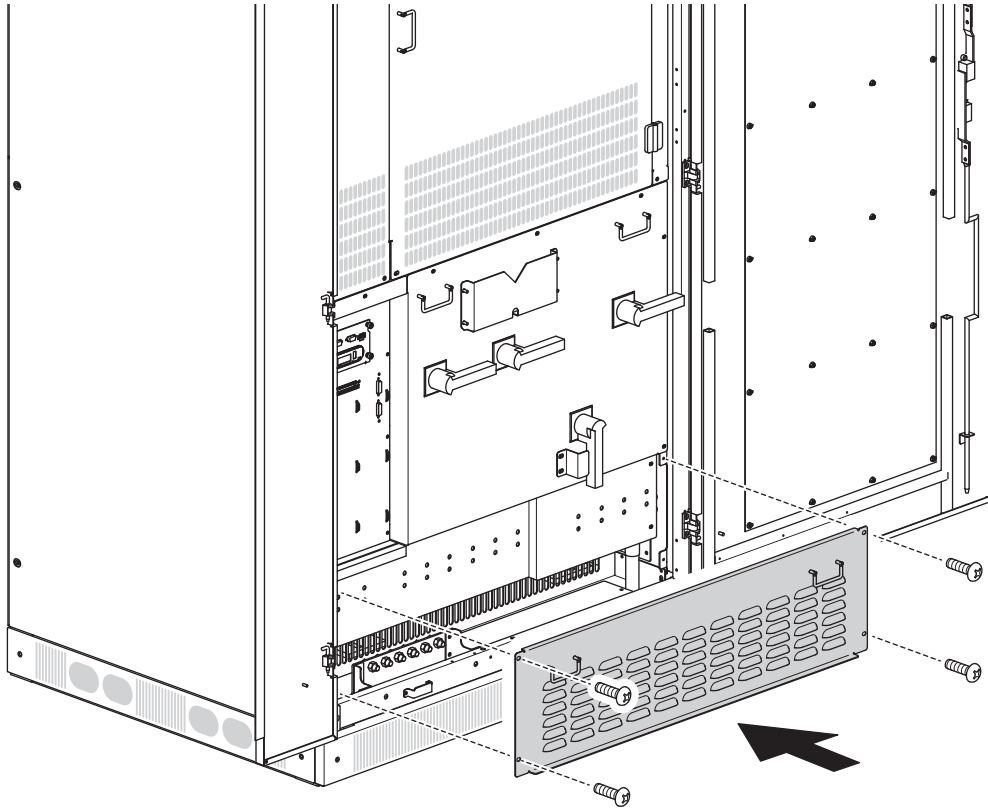
**1** Remove the screws in order to take off the original cover plate



**2** Remove the handles from the original cover plates and then assemble to the new cover plates

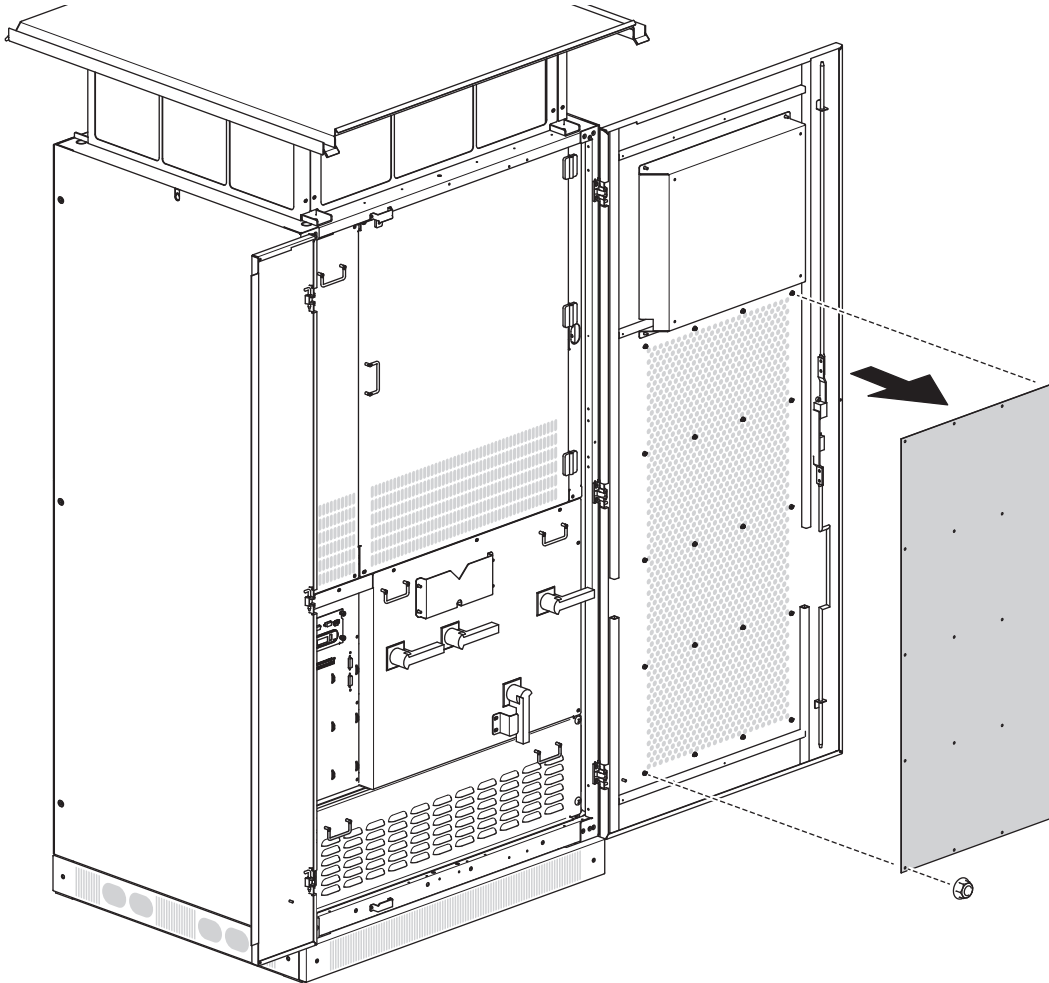


**3** Assemble the new cover plate back to the position

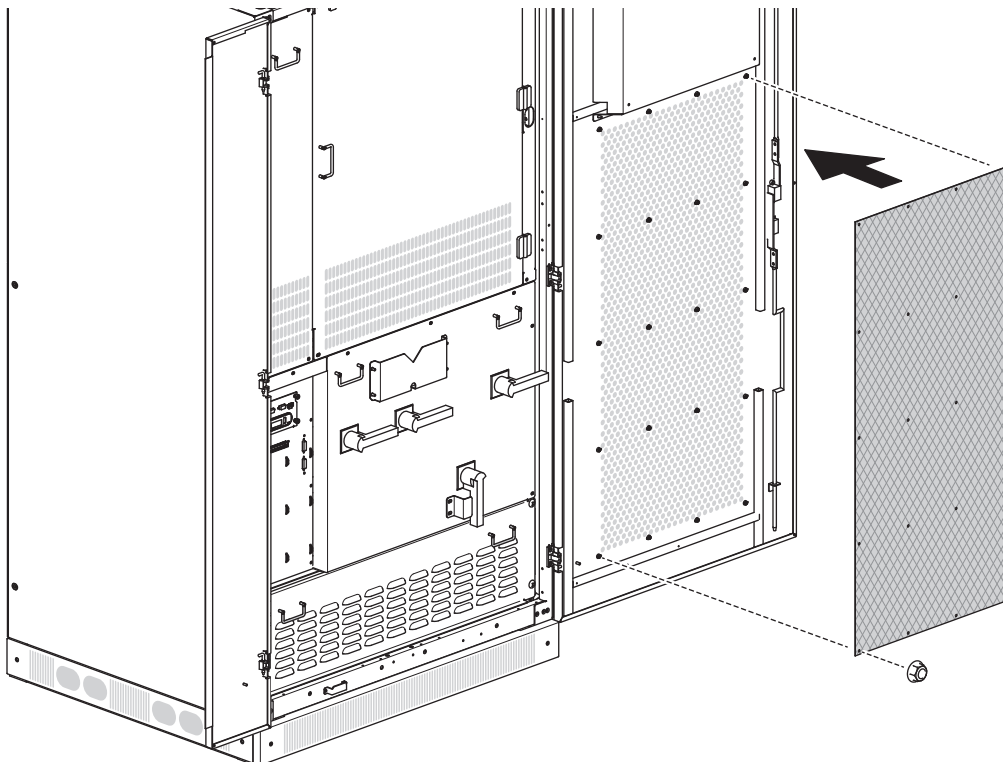


### 3.1.3. Stainless steel mesh assembly

**1** Remove the original meshes

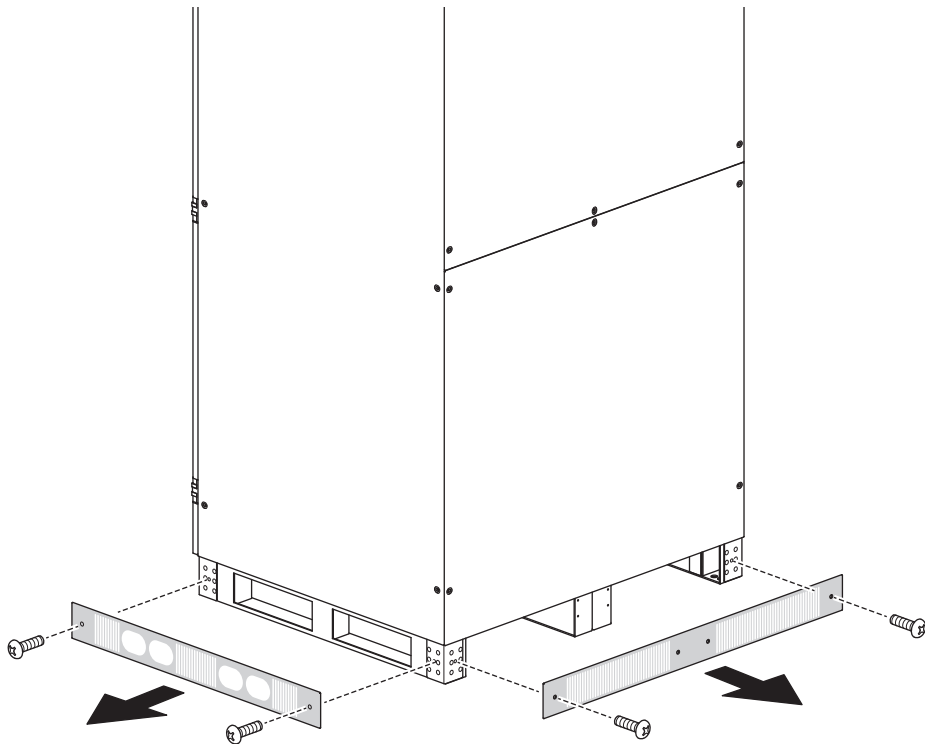
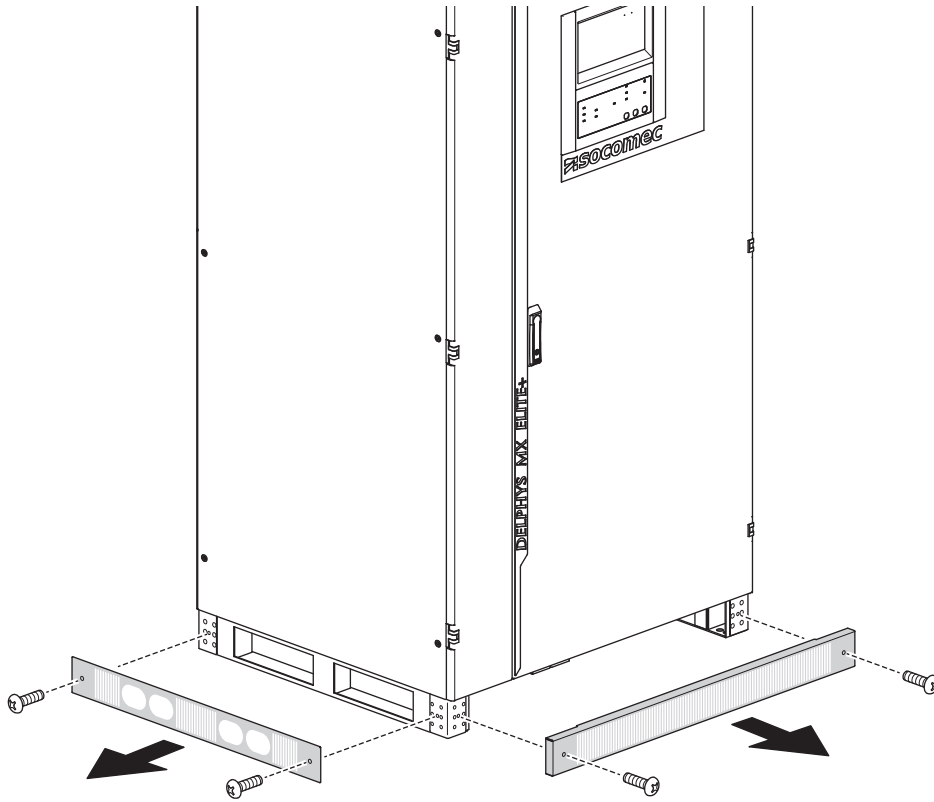


**2** Assemble the new meshes

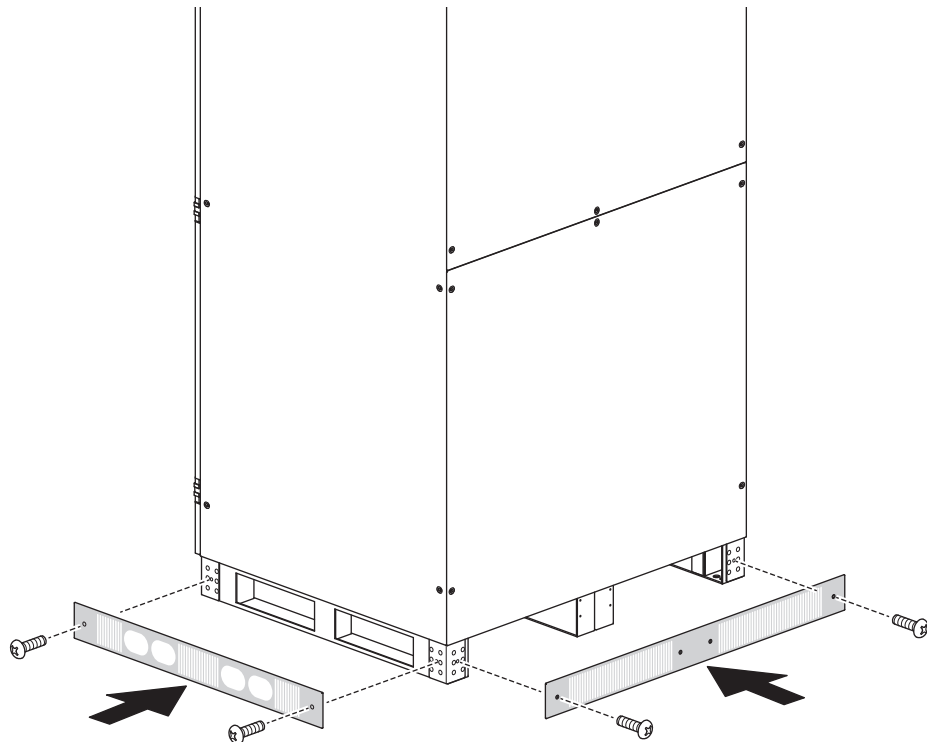
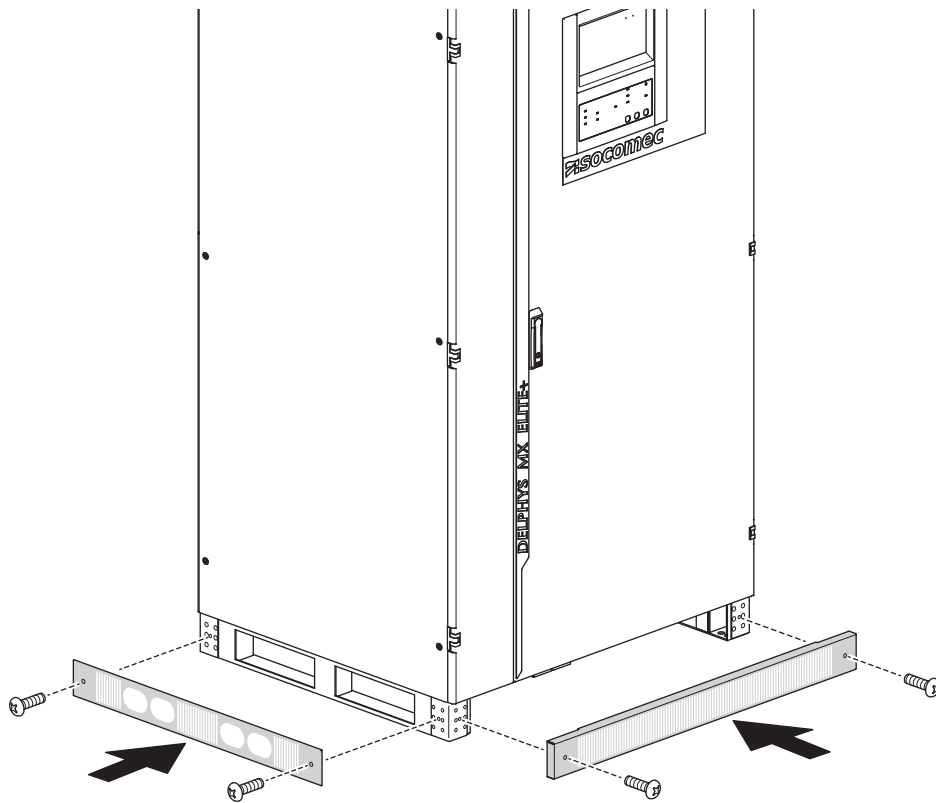


### 3.1.4. Base sealing plate assembly

- 1 Remove the original sealing plates



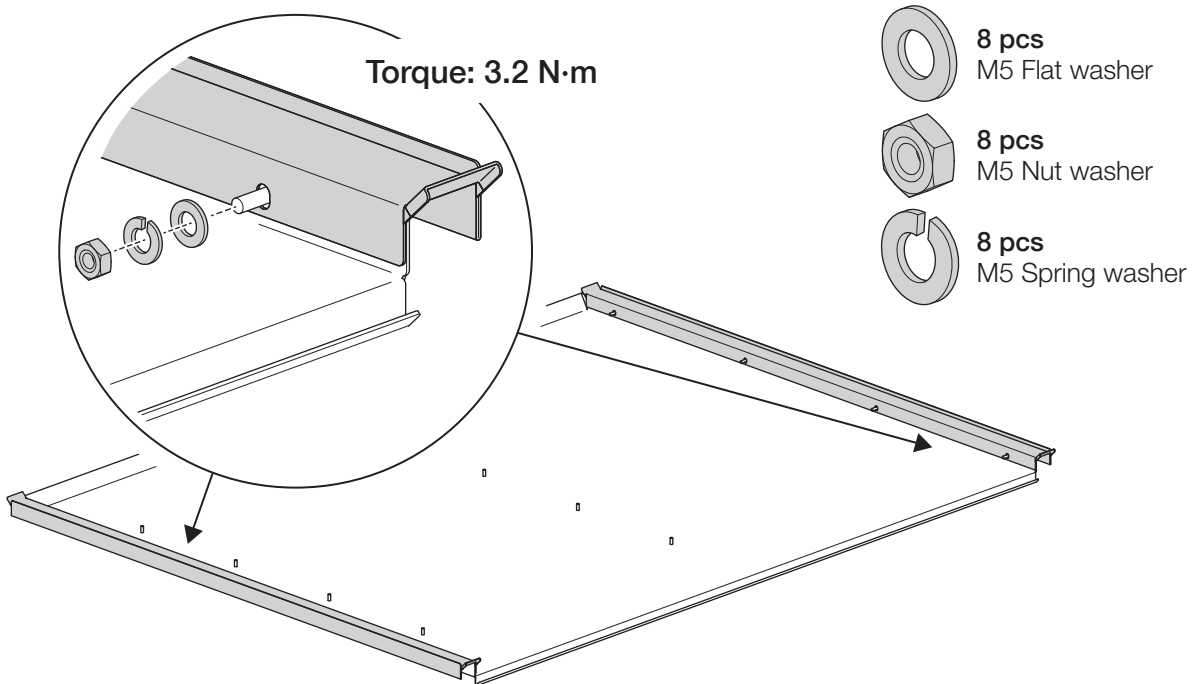
## 2 Assemble the new sealing plates



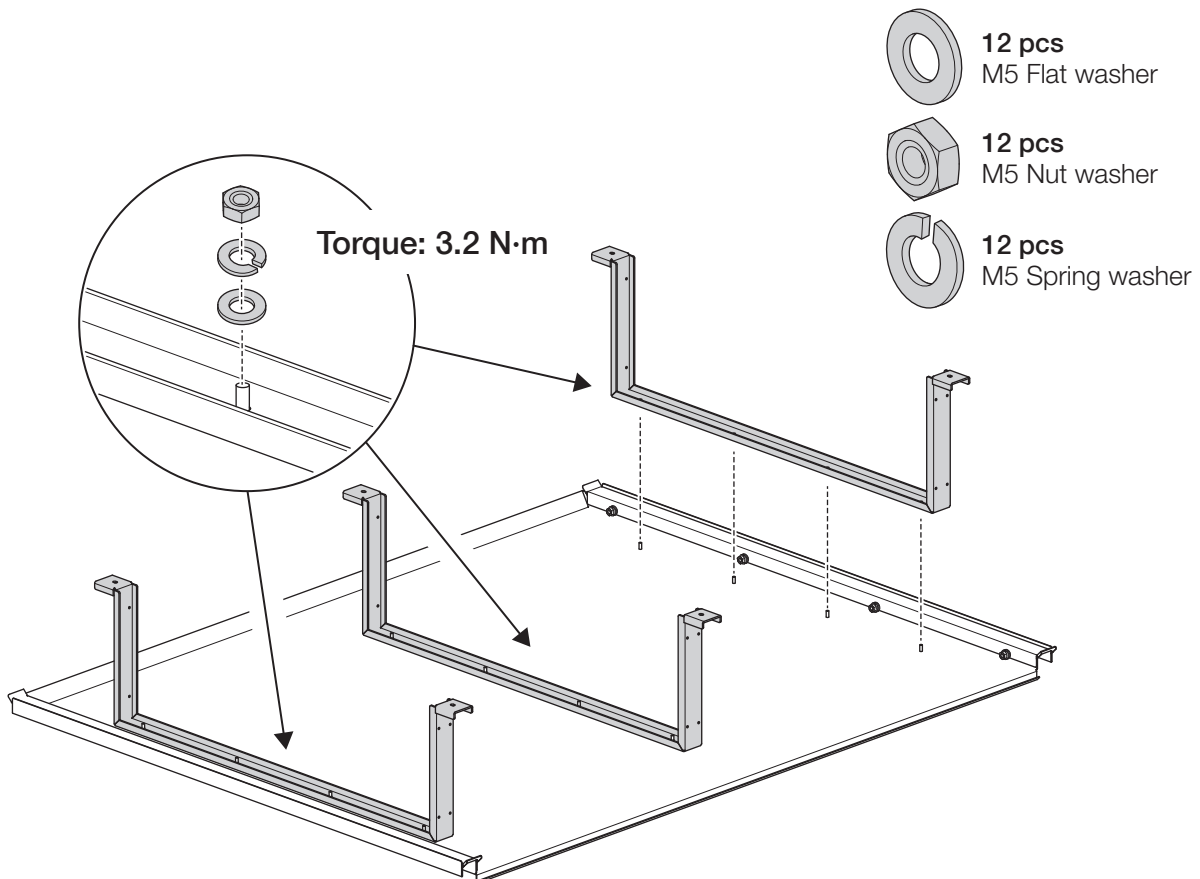
## 3.2. Installation sequence for UPS 300 - 400 kVA

### 3.2.1. Waterproof Assembly

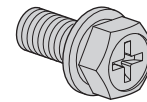
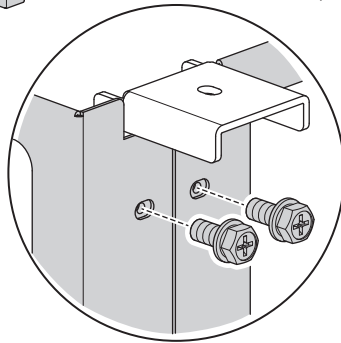
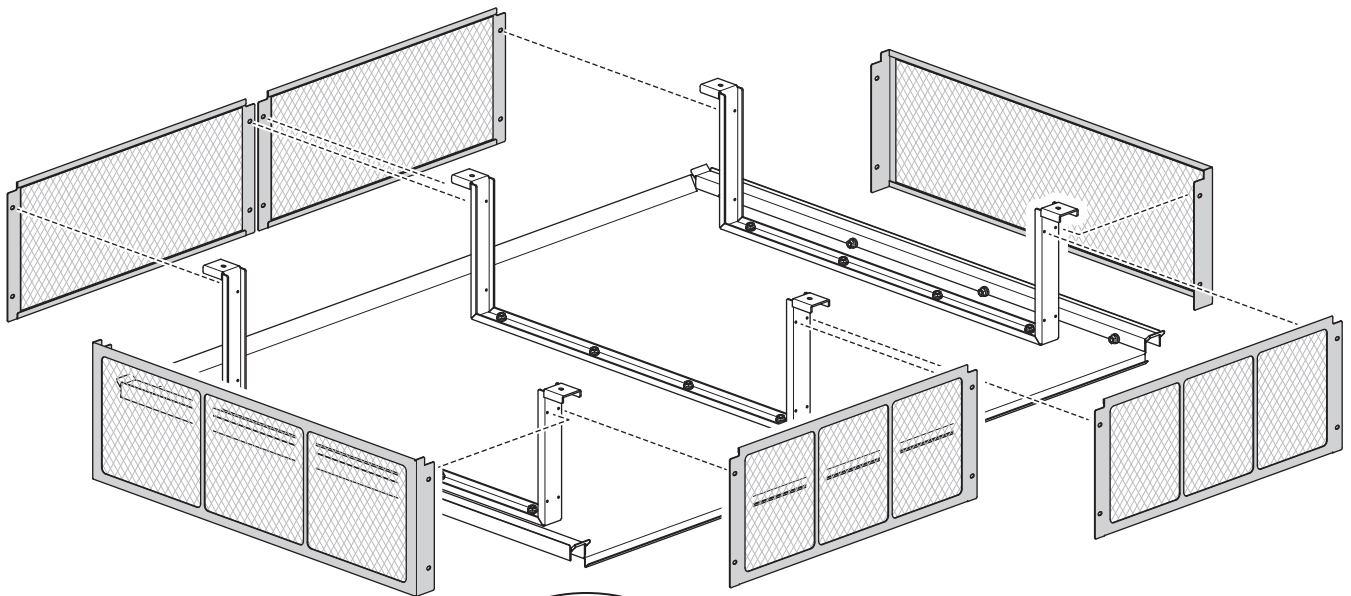
**1** Assemble the Water diversion strips on the Waterproof cover



**2** Assemble the support brackets to the cover



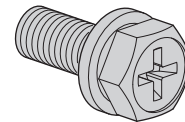
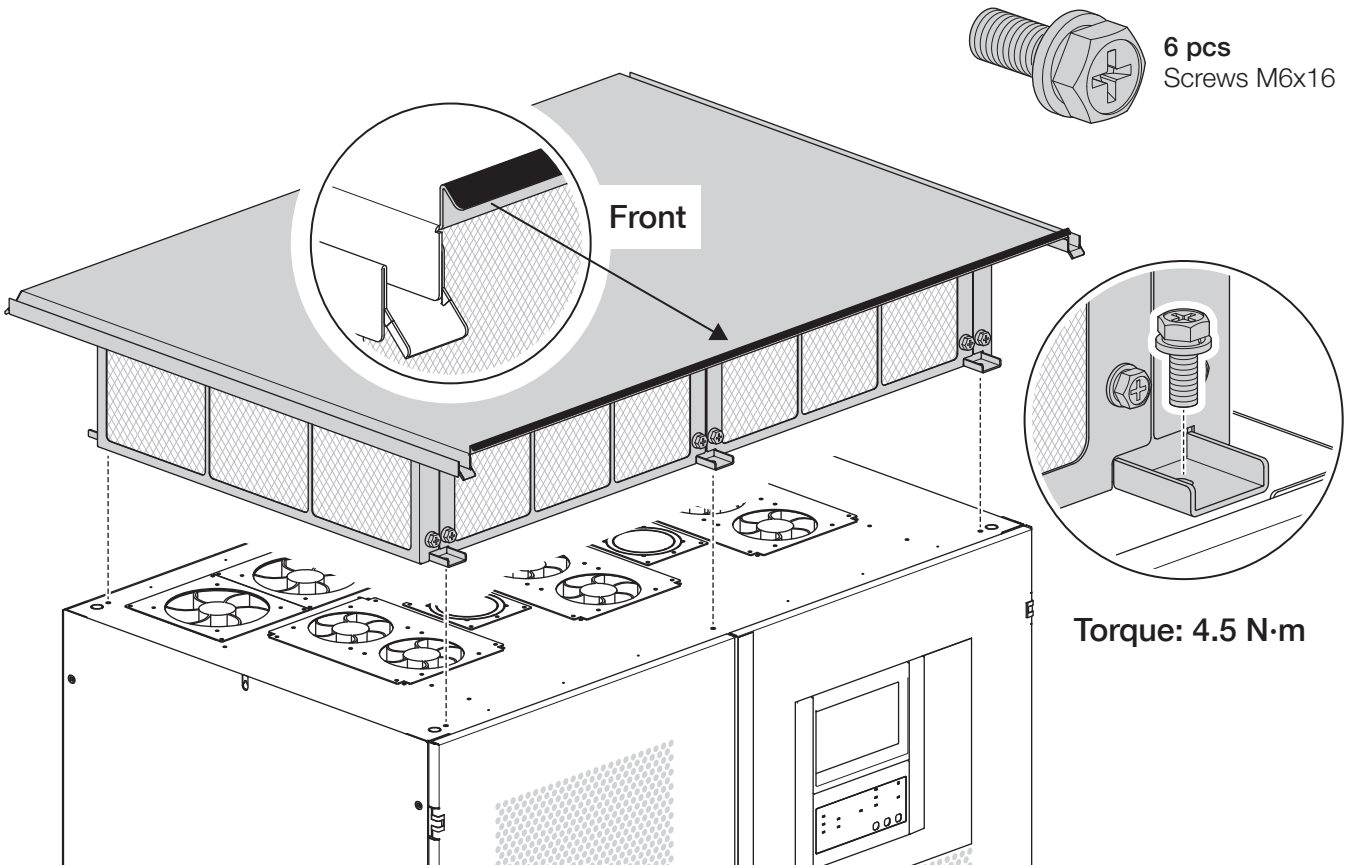
**3** Assemble the waterproof grid



**24 pcs**  
Screws M5x12

**Torque: 3.2 N·m**

**4** Lay the cover with grid on the top of cabinet and fix tightly with screws

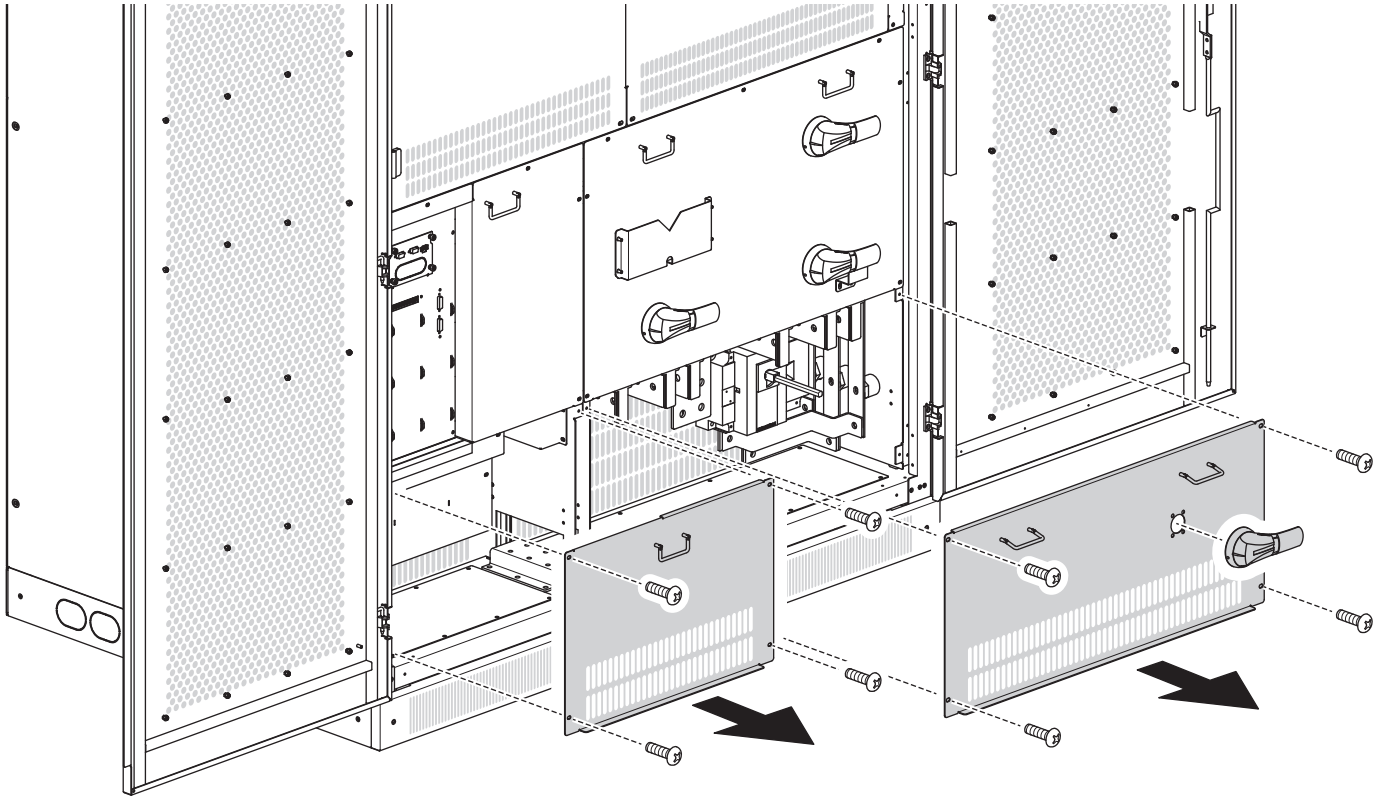


**6 pcs**  
Screws M6x16

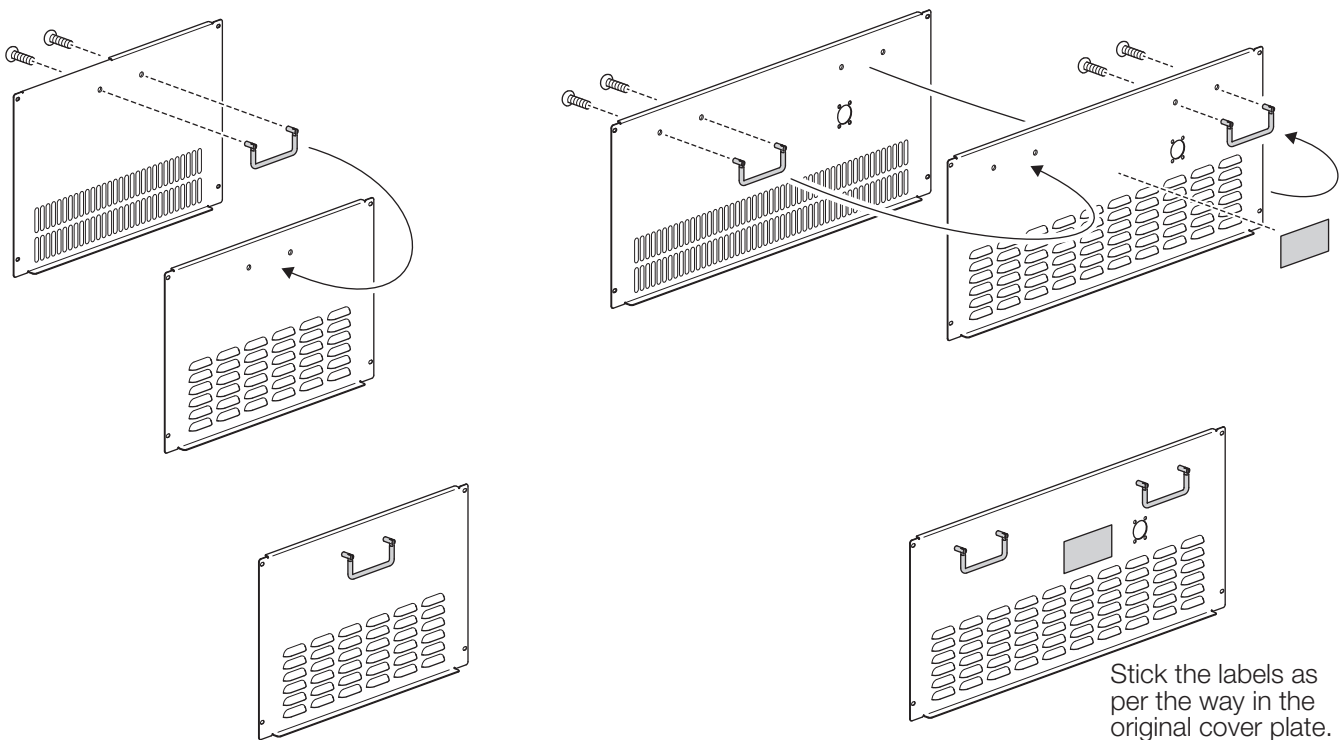
**Torque: 4.5 N·m**

### 3.2.2. Cover plates assembly

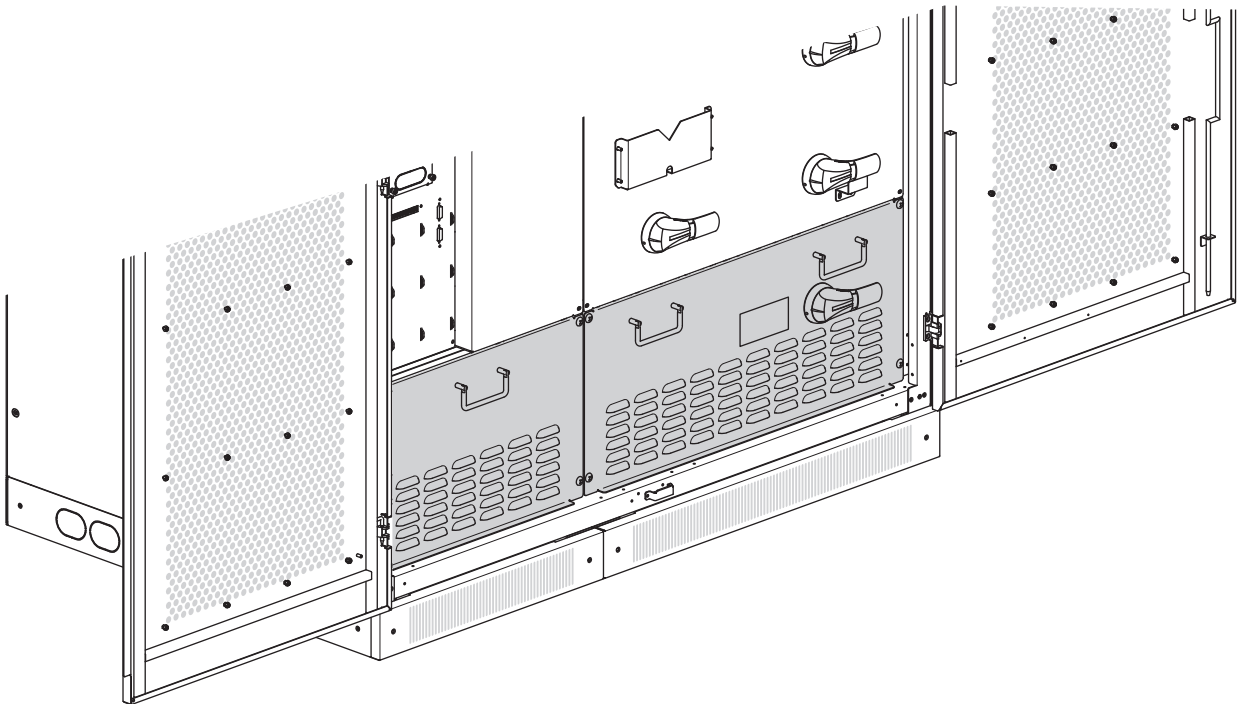
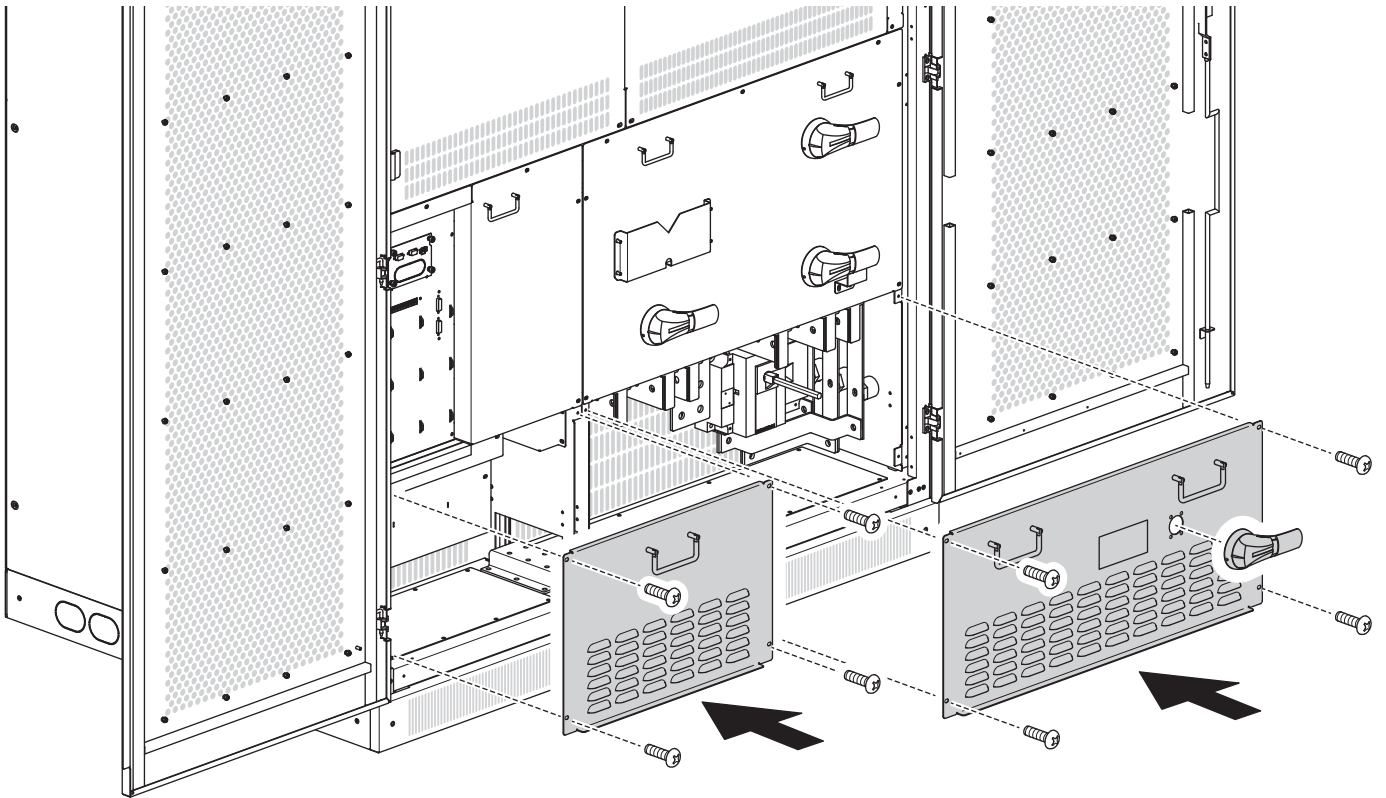
**1** Remove the screws in order to take off the original cover plate



**2** Remove the handles from the original cover plates and then assemble to the new cover plates

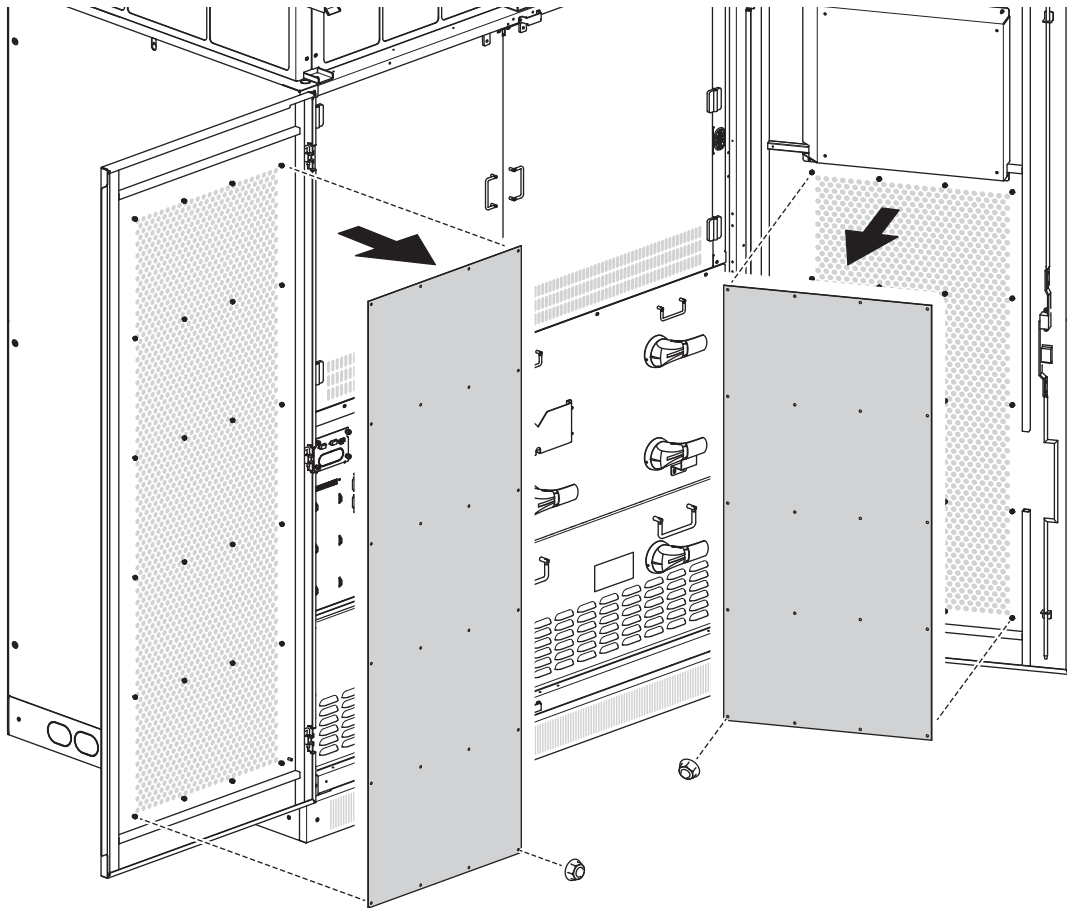


**3** Assemble the new cover plate back to the position

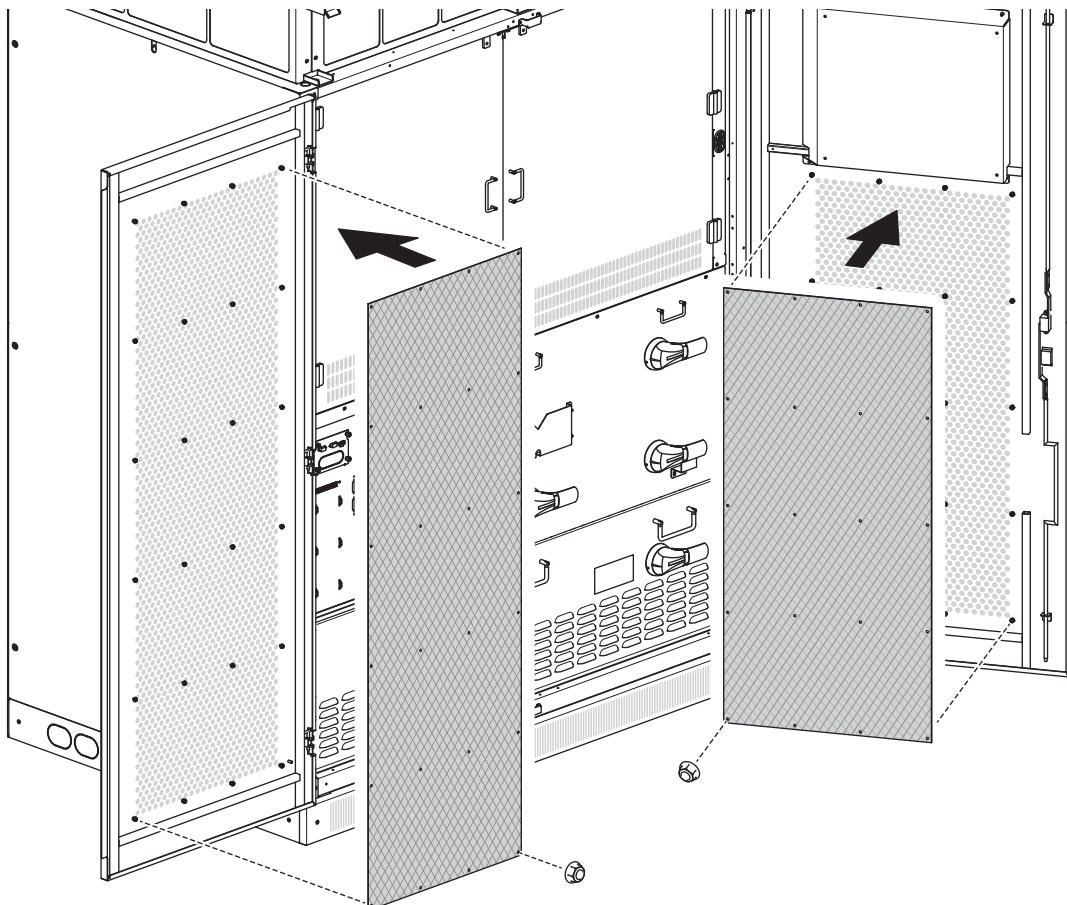


### 3.2.3. Stainless steel mesh assembly

**1** Remove the original meshes

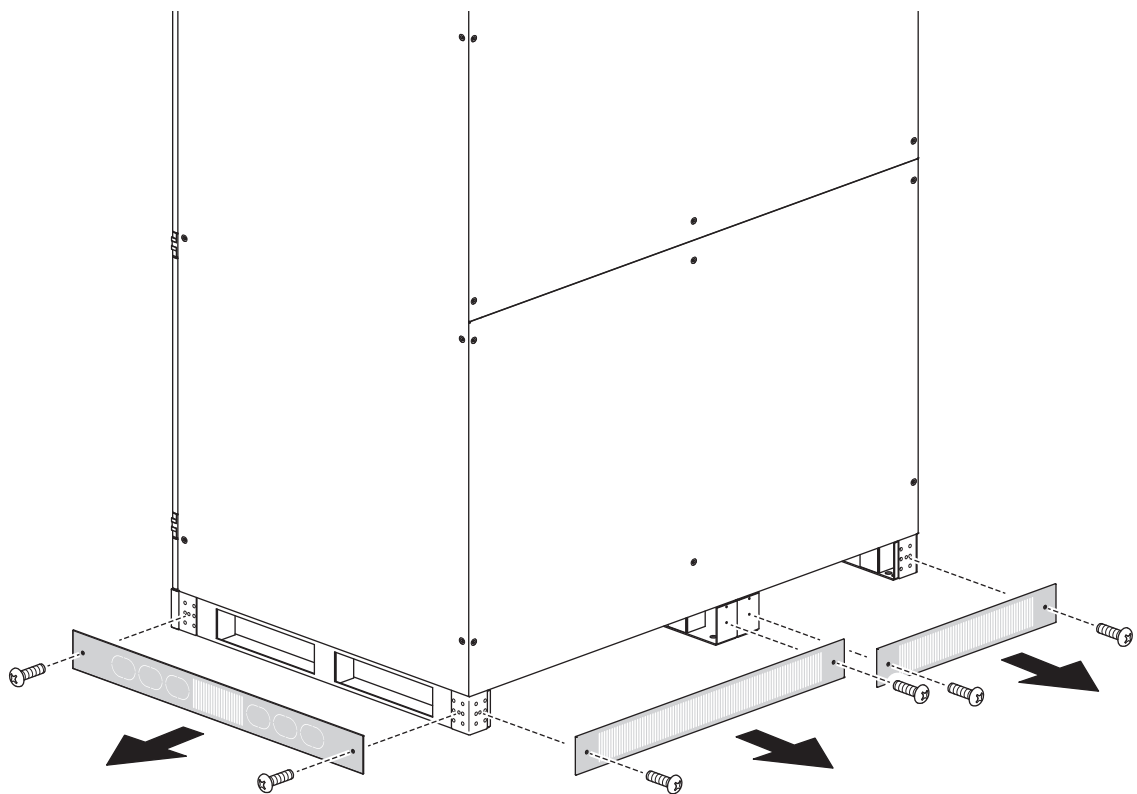
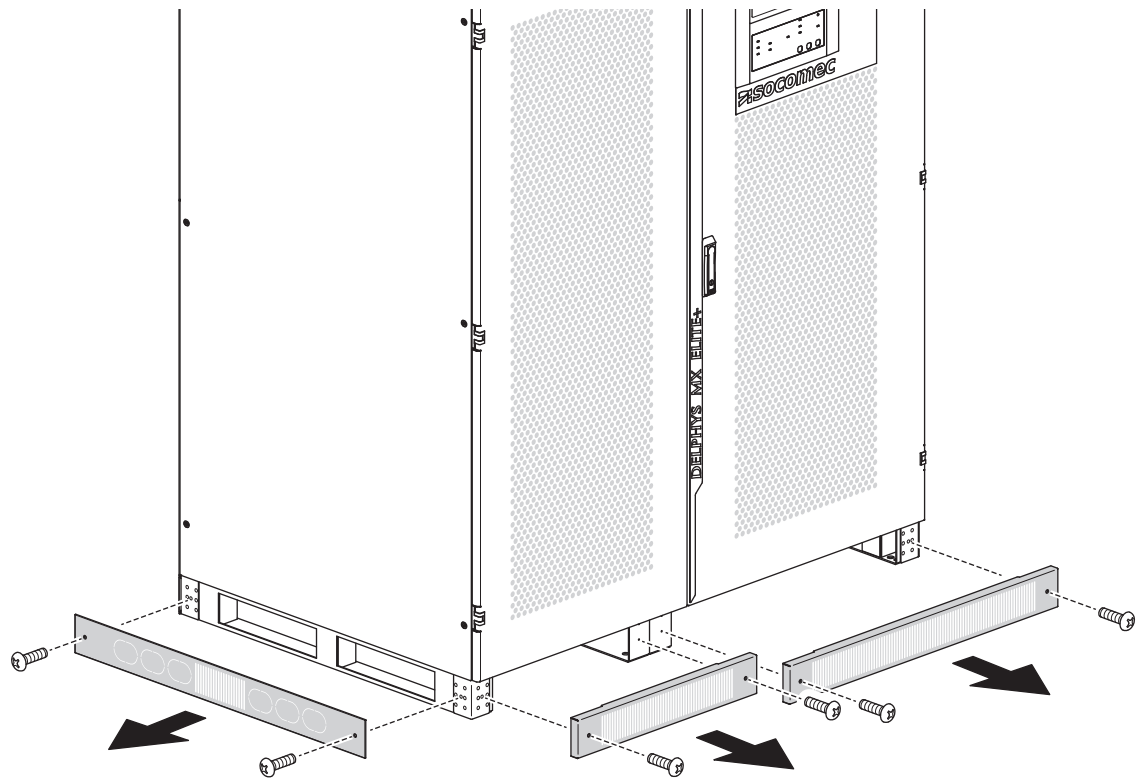


**2** Assemble the new meshes

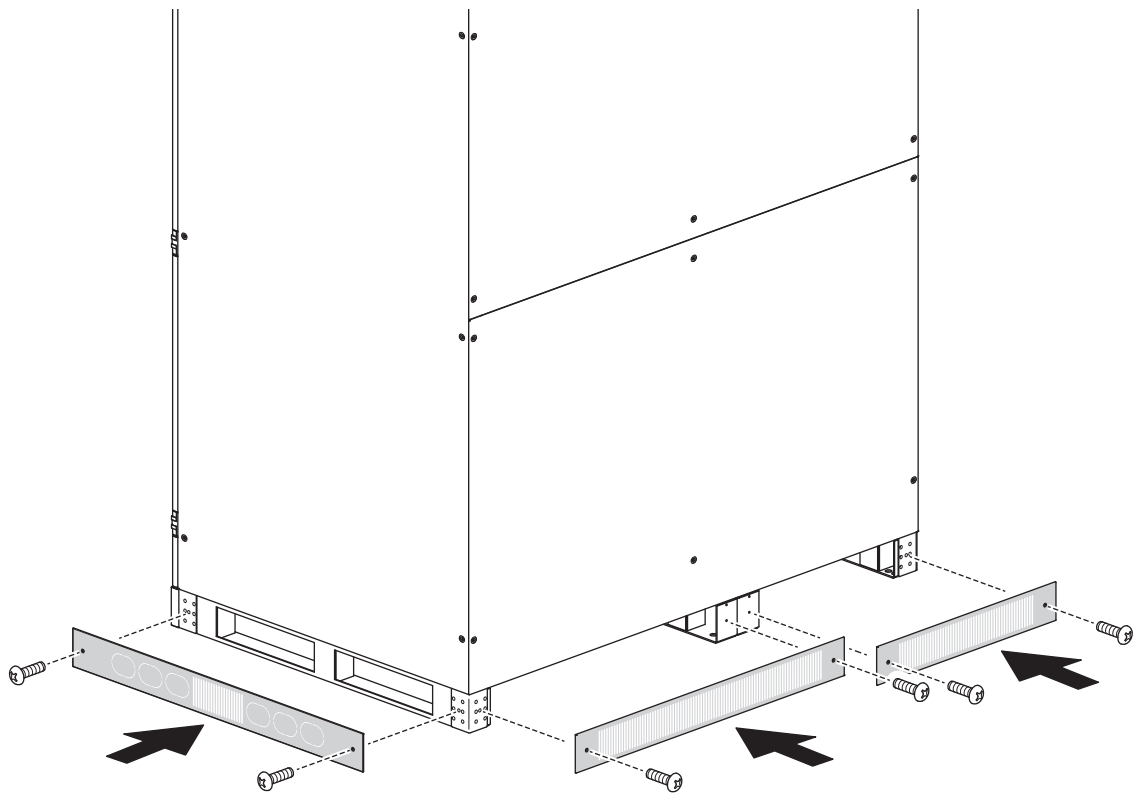
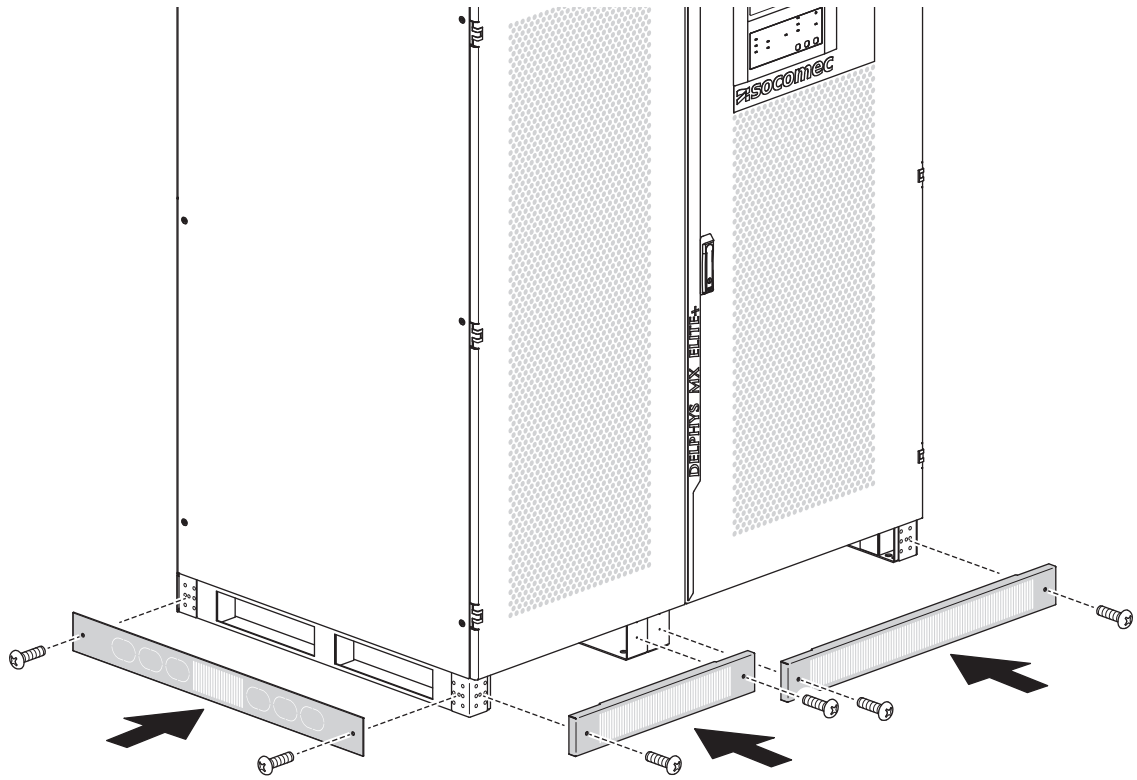


### 3.2.4. Base sealing plate assembly

**1** Remove the original sealing plates



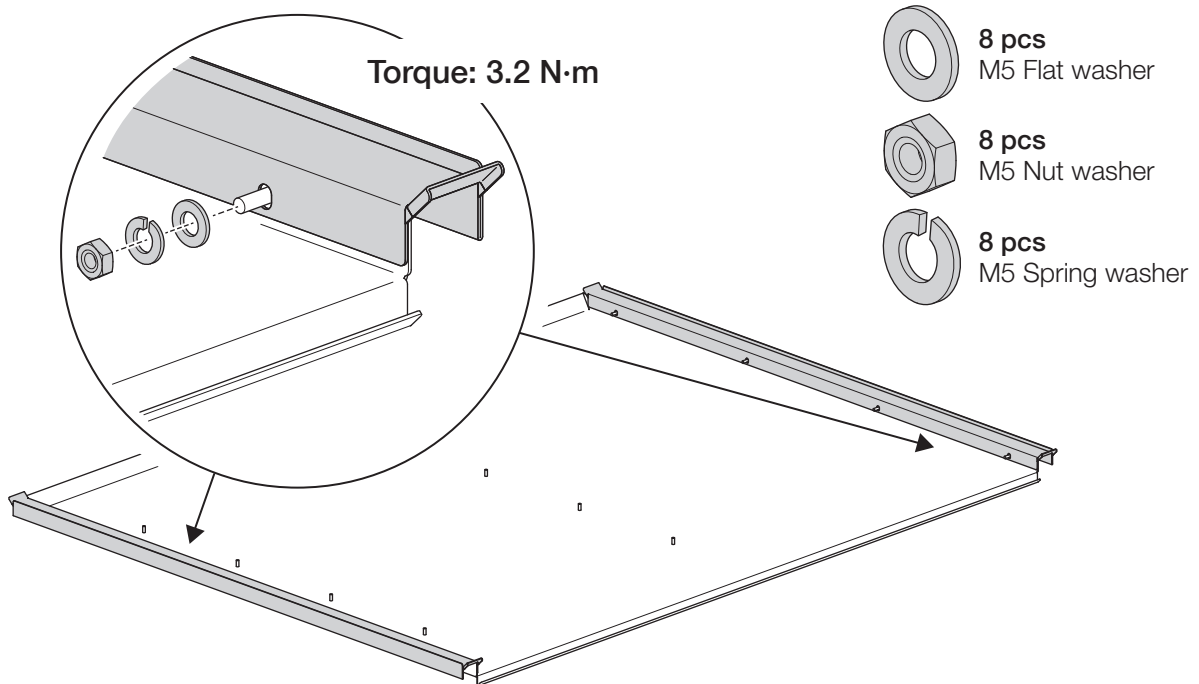
**2** Assemble the new sealing plates



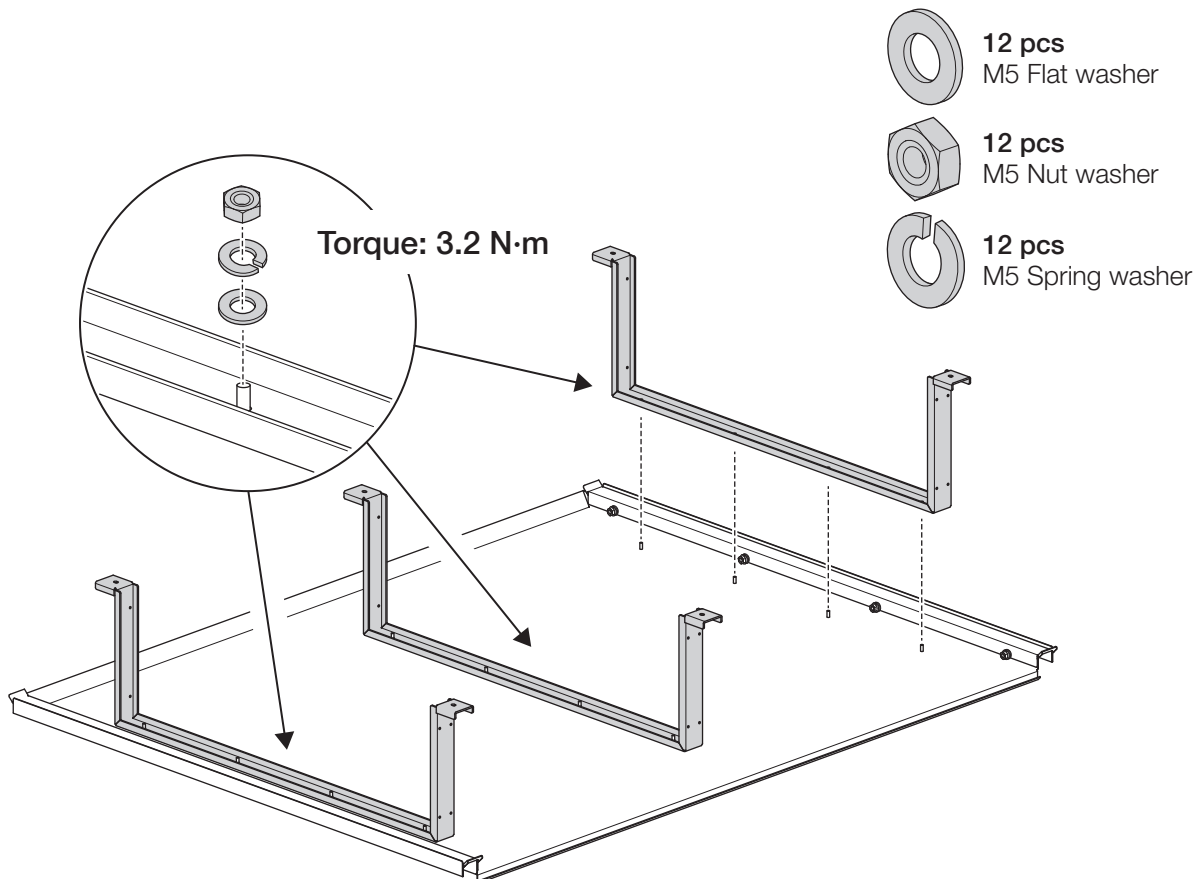
### 3.3. Installation sequence for UPS 500 - 600 kVA

#### 3.3.1. Waterproof Assembly for Power Cabinet

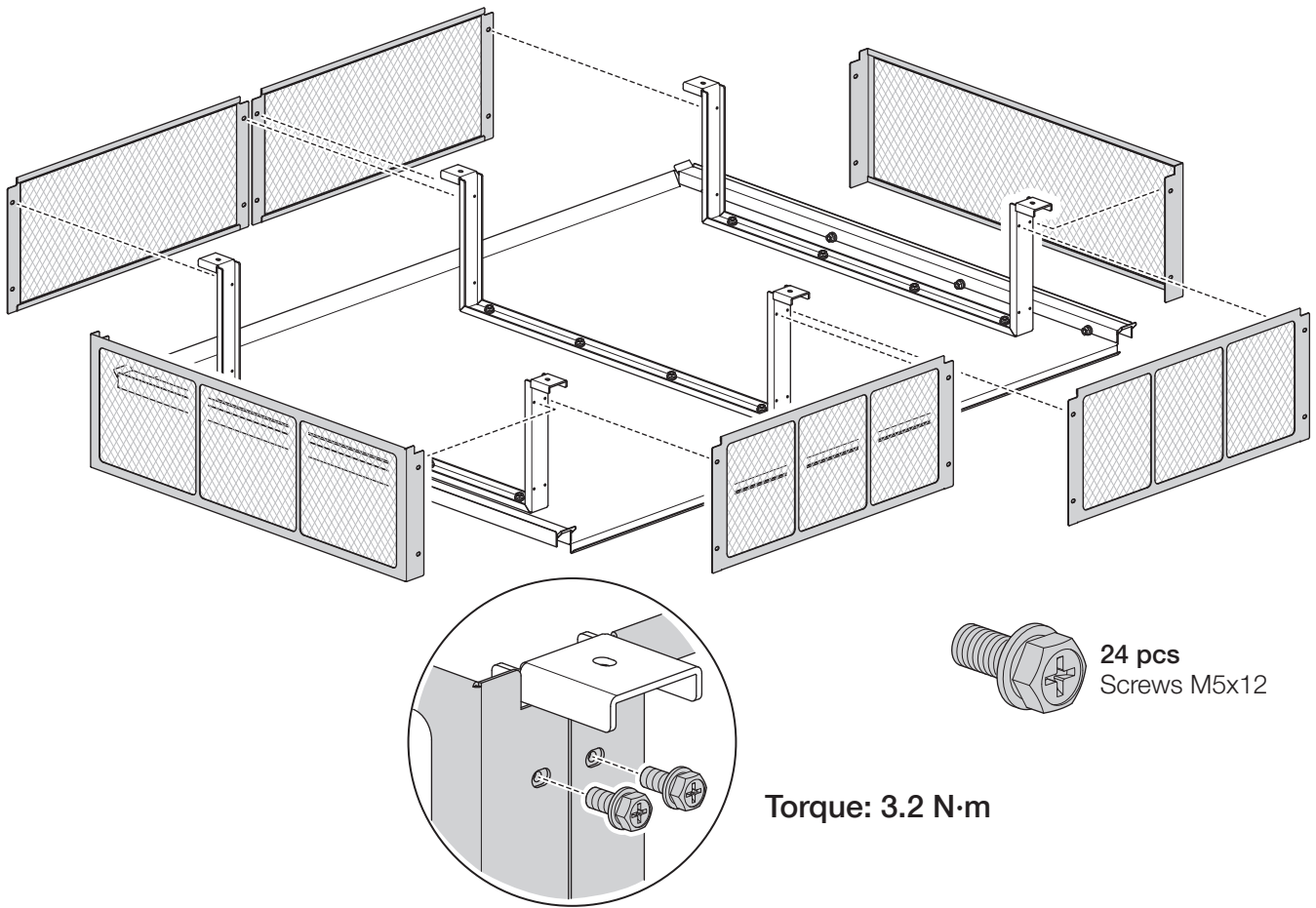
**1** Assemble the Water diversion strips on the Waterproof cover



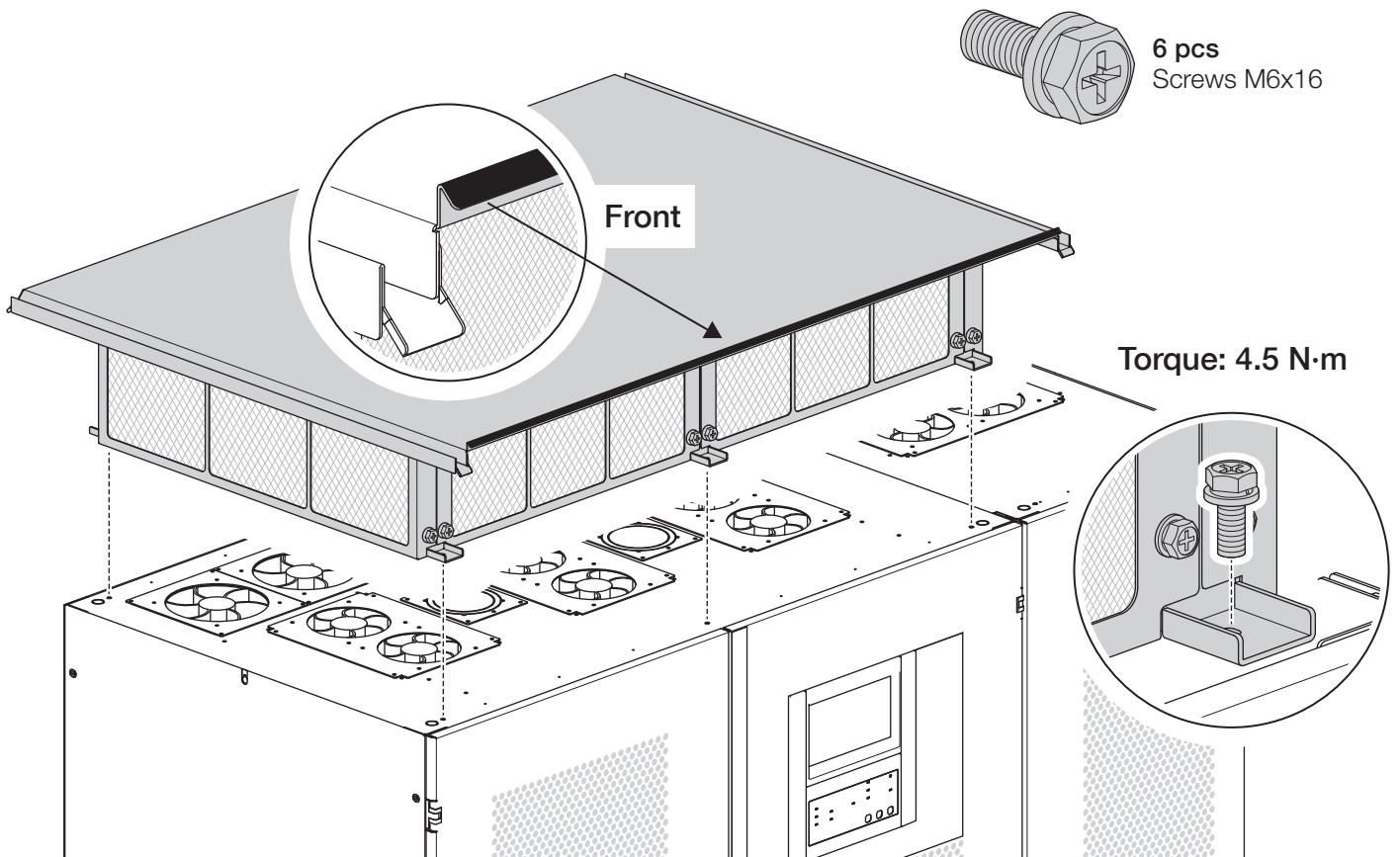
**2** Assemble the support brackets to the cover



**3** Assemble the waterproof grid

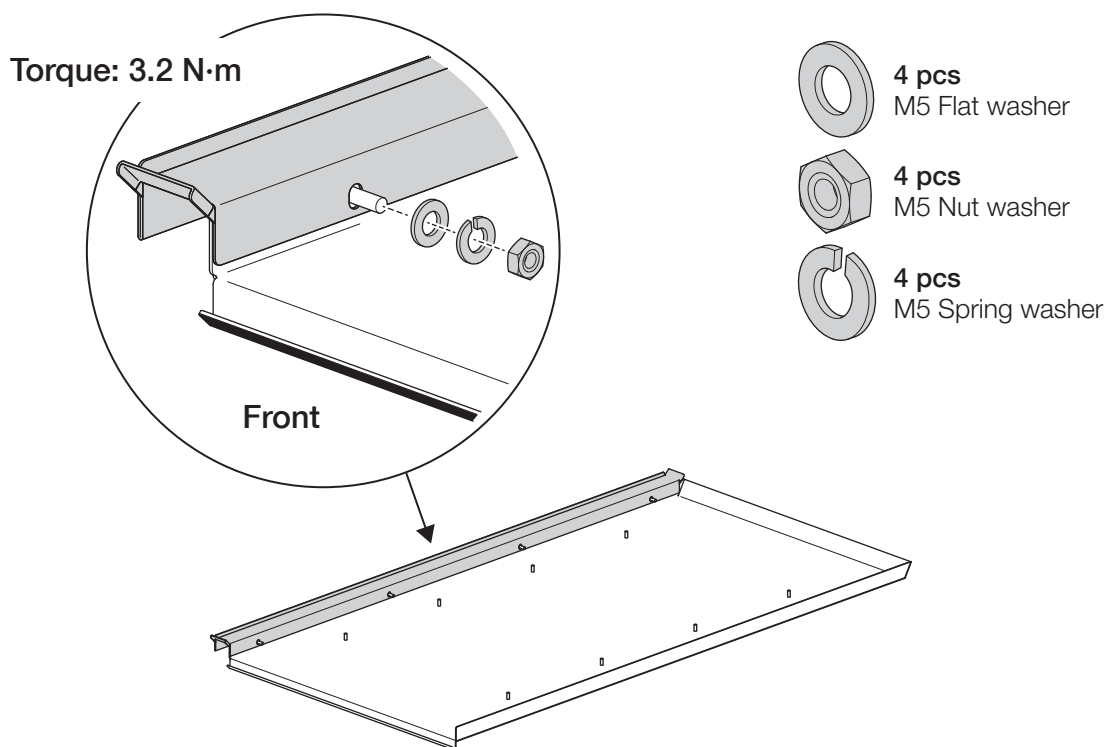


**4** Lay the cover with grid on the top of Power cabinet and fix tightly with screws

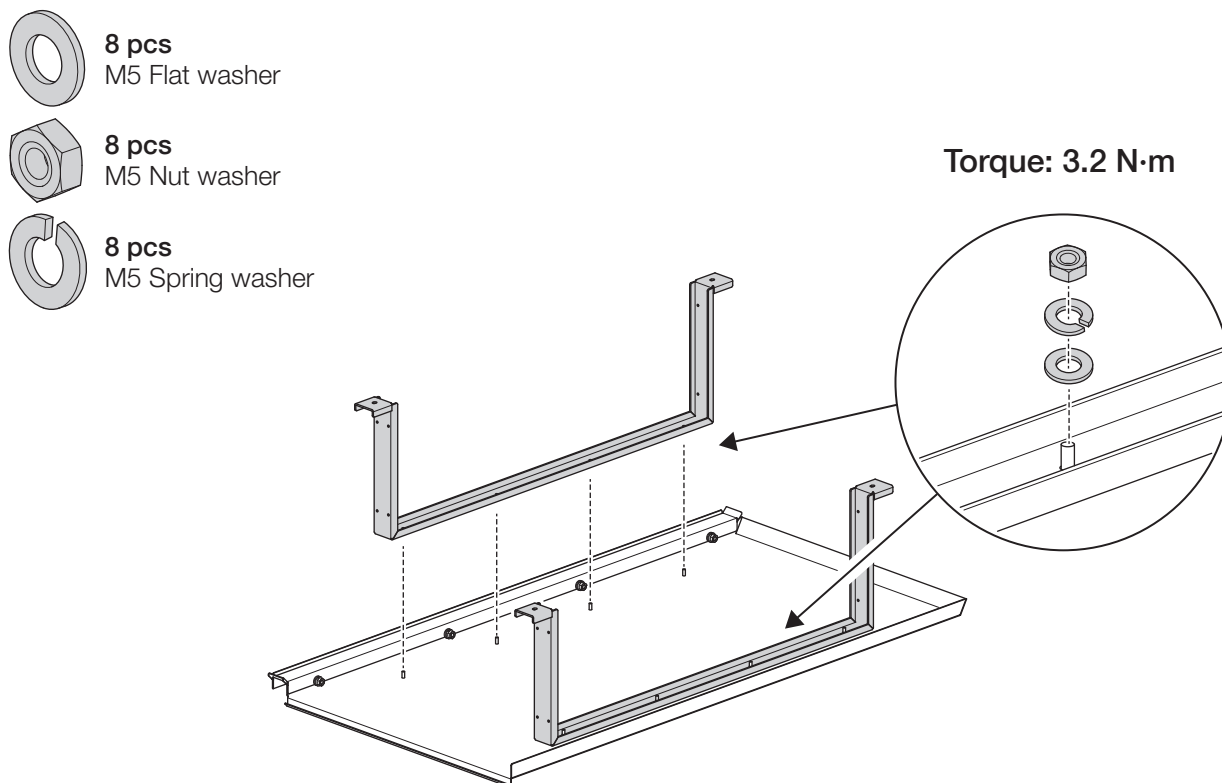


### 3.3.2. Waterproof Assembly for Switch Cabinet

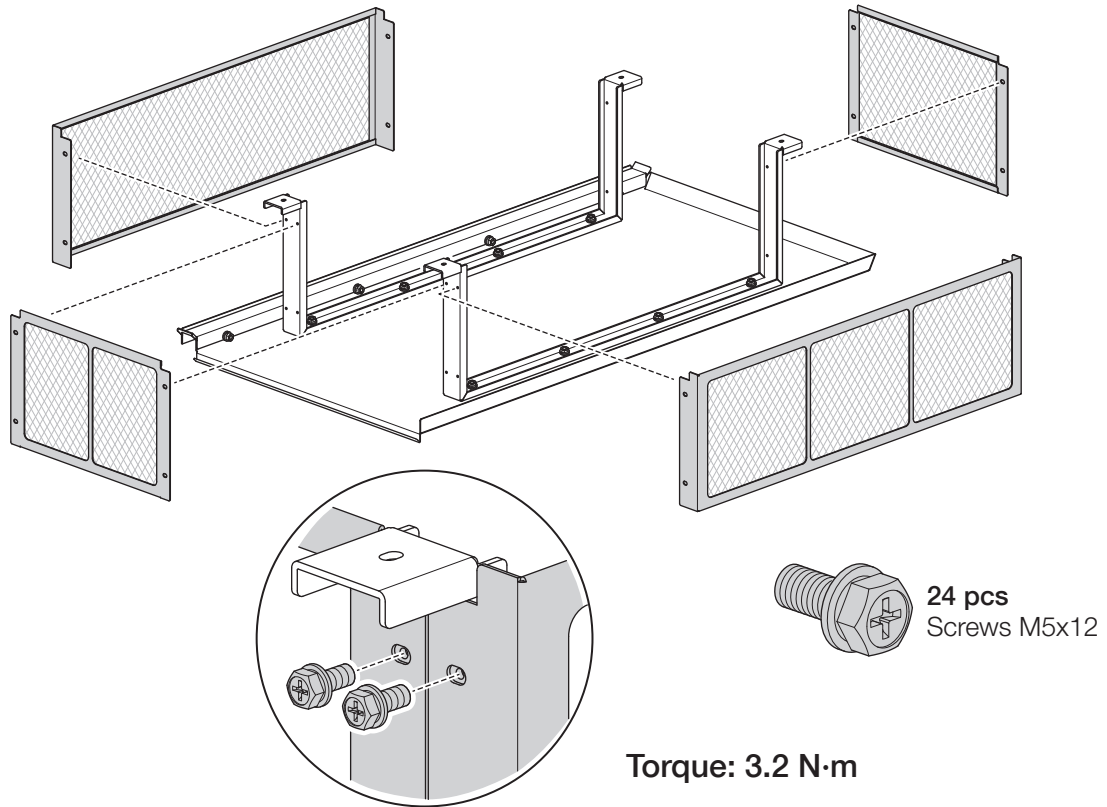
**1** Assemble the Water diversion strip on the Waterproof cover



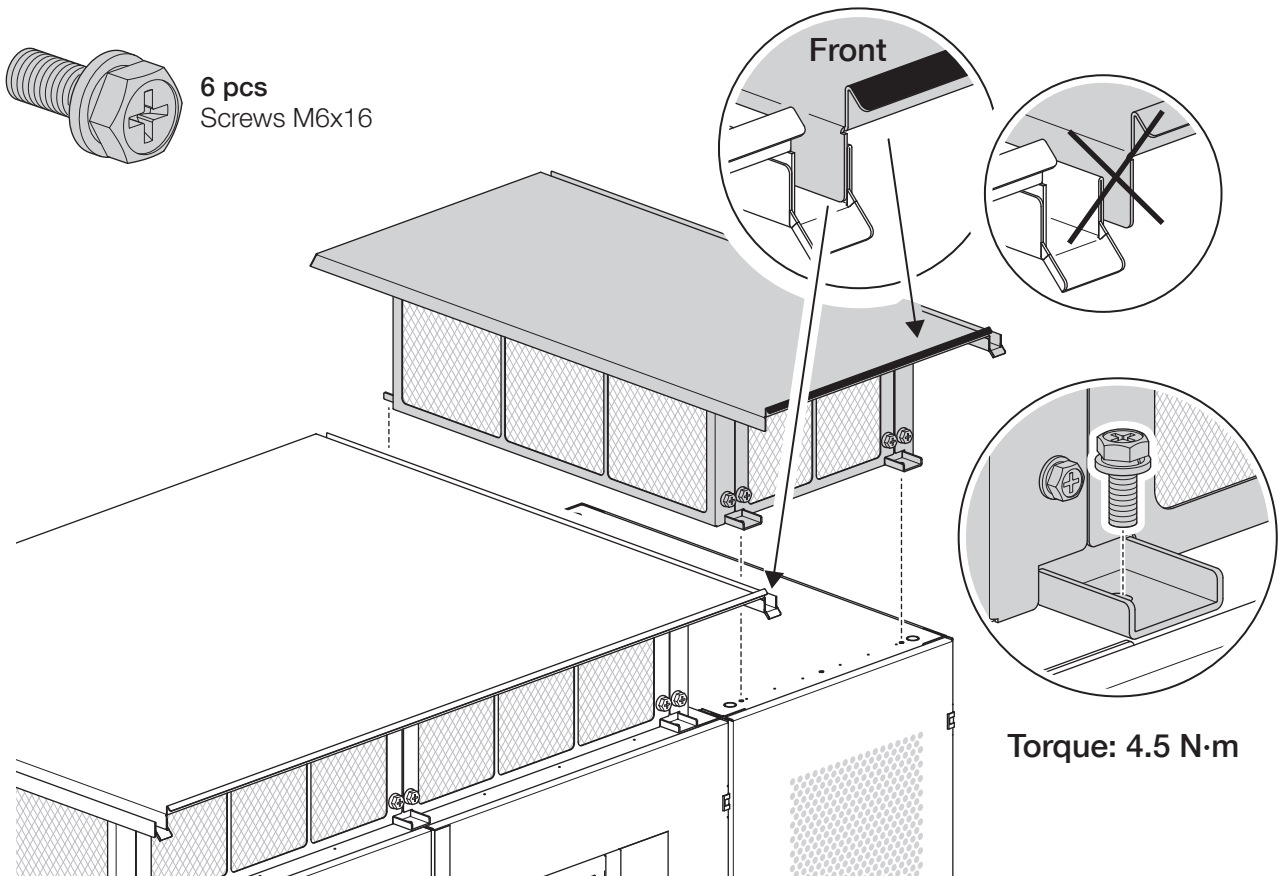
**2** Assemble the support brackets to the cover



**3** Assemble the waterproof grid

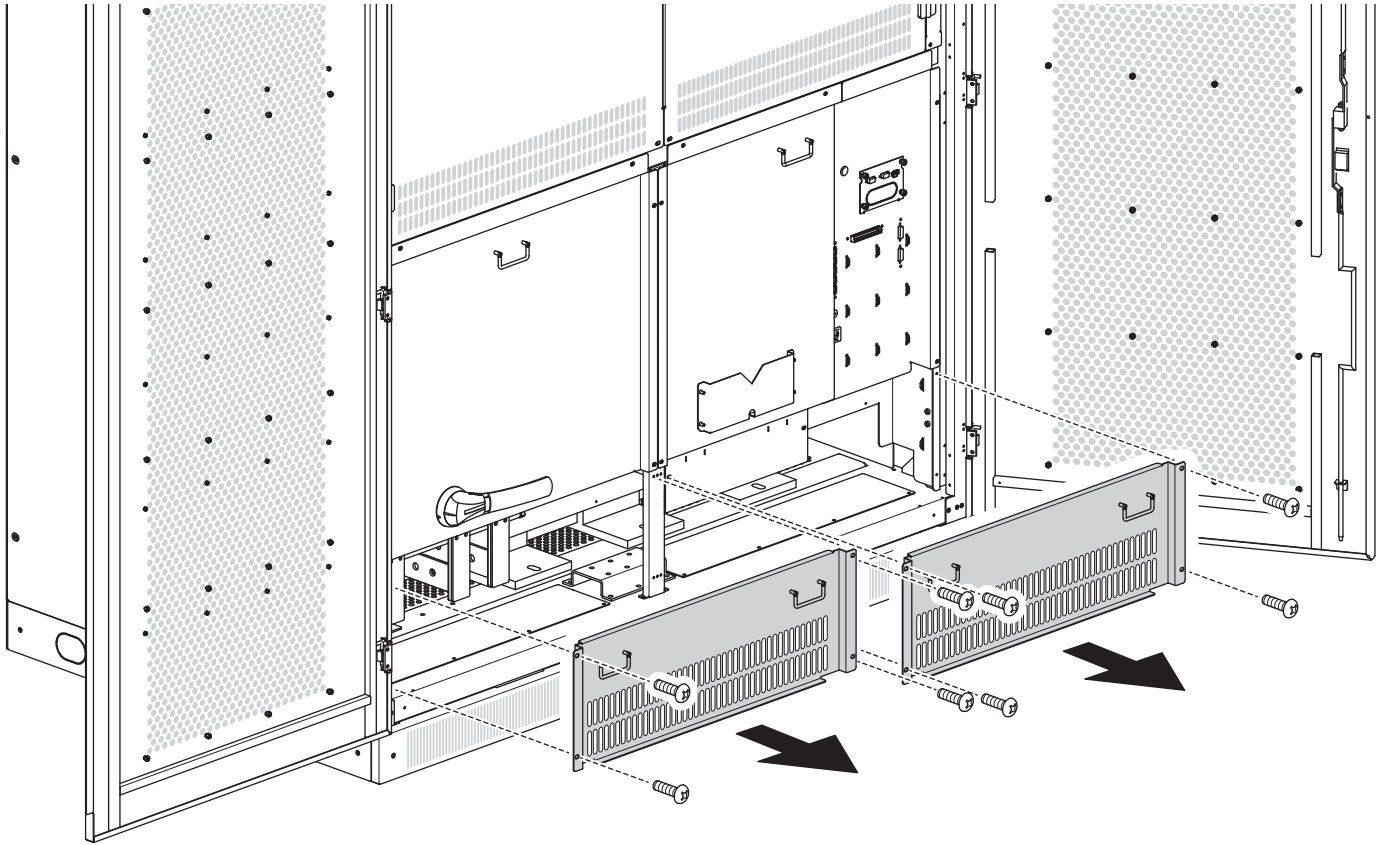


**4** Lay the cover with grid on the top of Power cabinet and fix tightly with screws

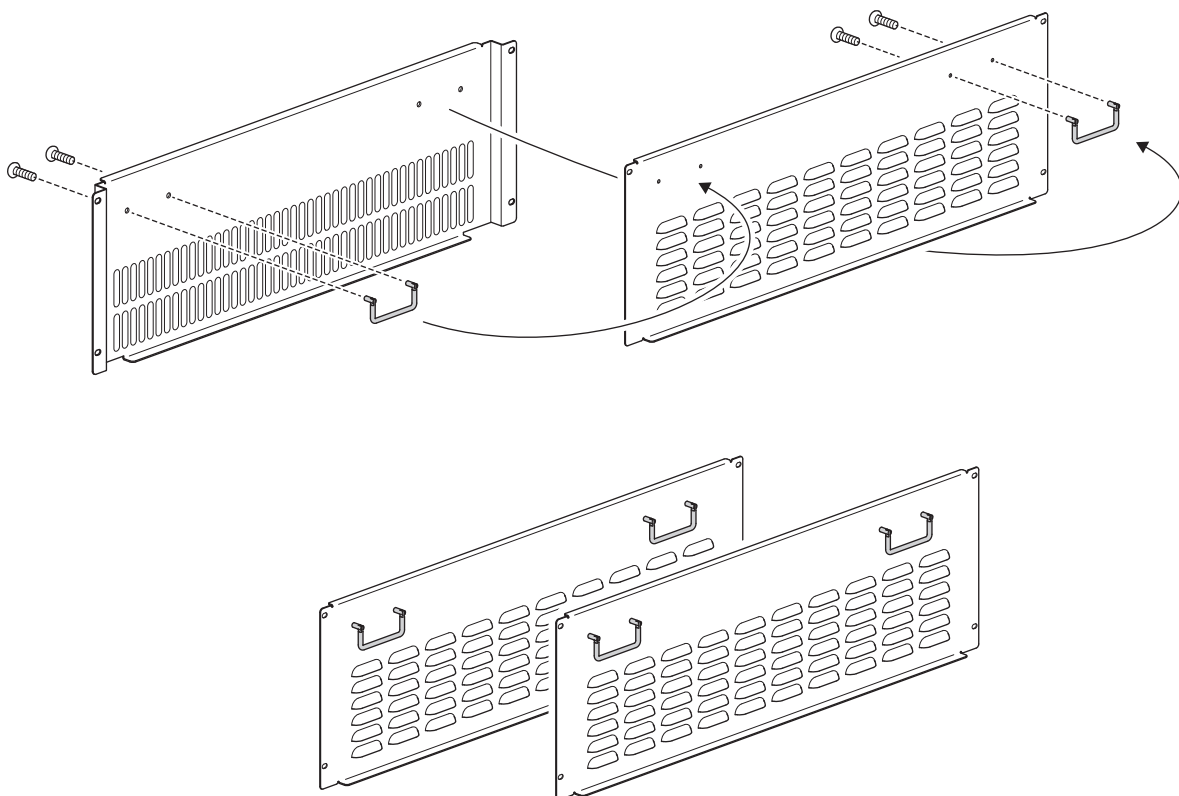


### 3.3.3. Cover plate assembly for Power cabinet

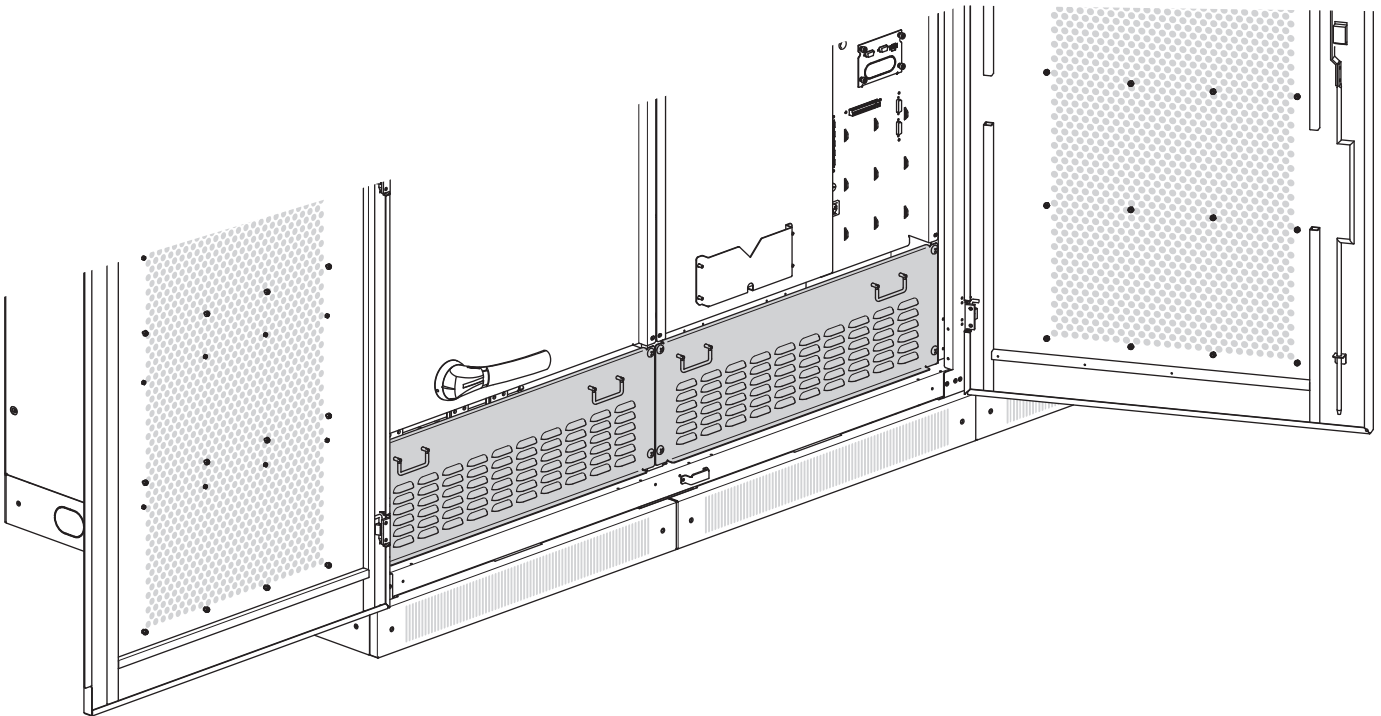
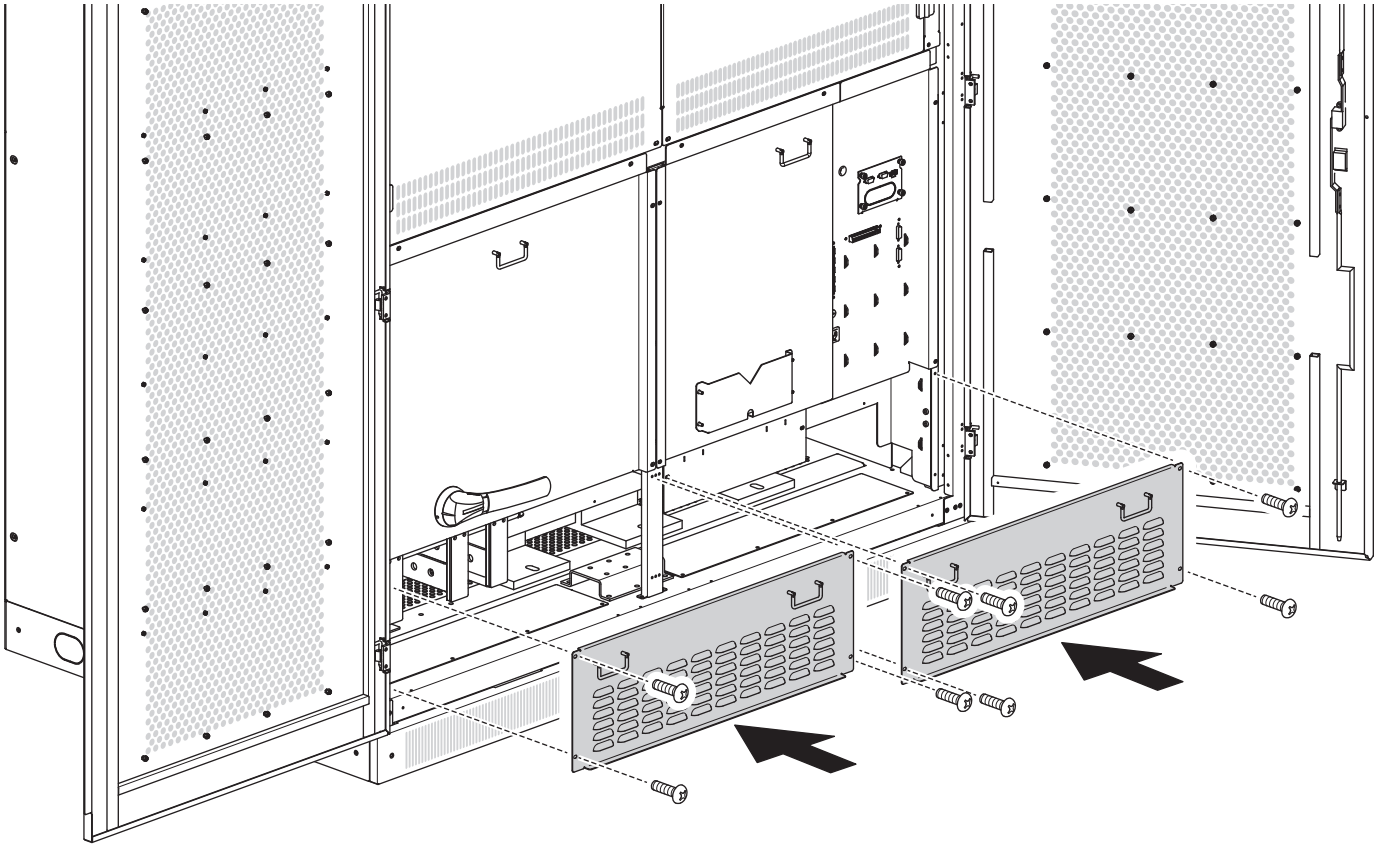
**1** Remove the screws in order to take off the original cover plate



**2** Remove the handles from the original cover plates and then assemble to the new cover plates

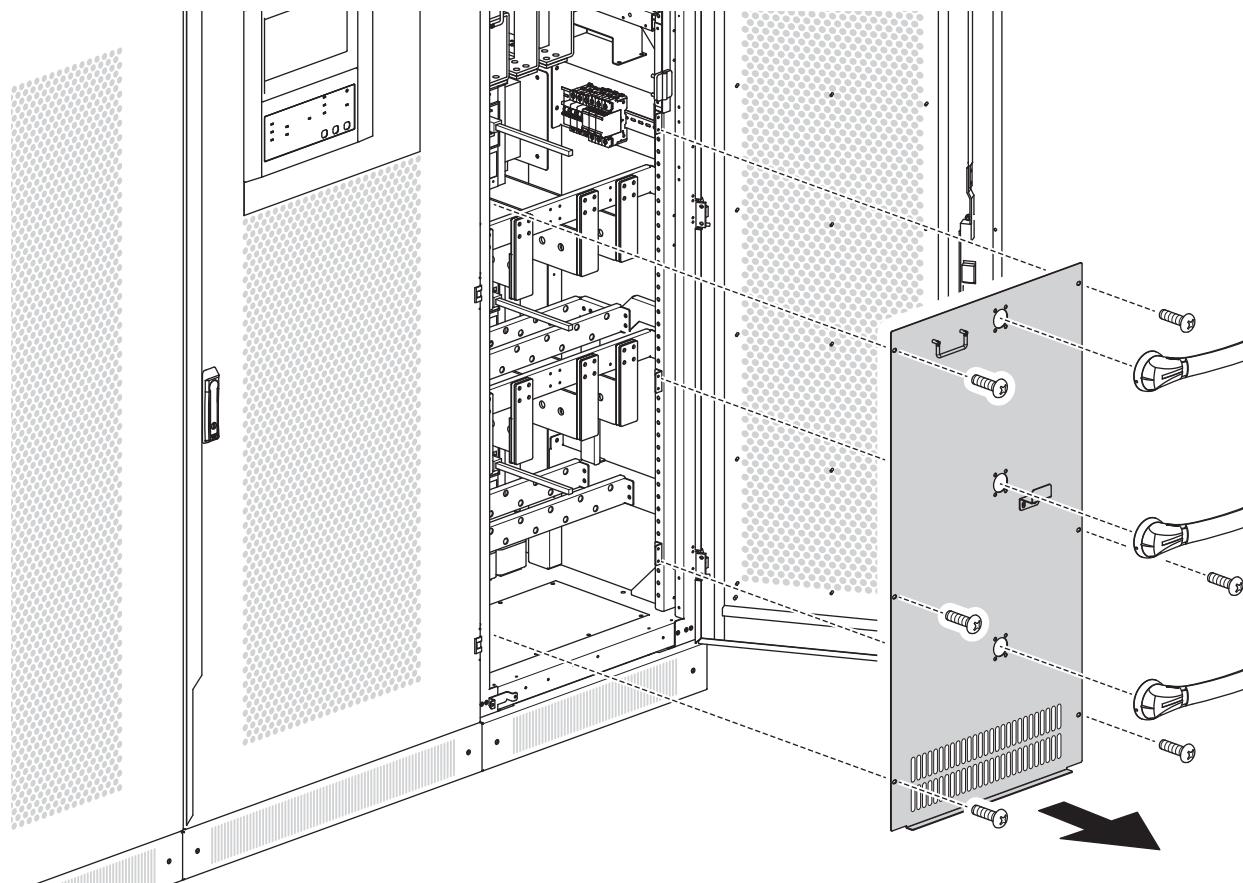


**3** Assemble the new cover plate back to the position

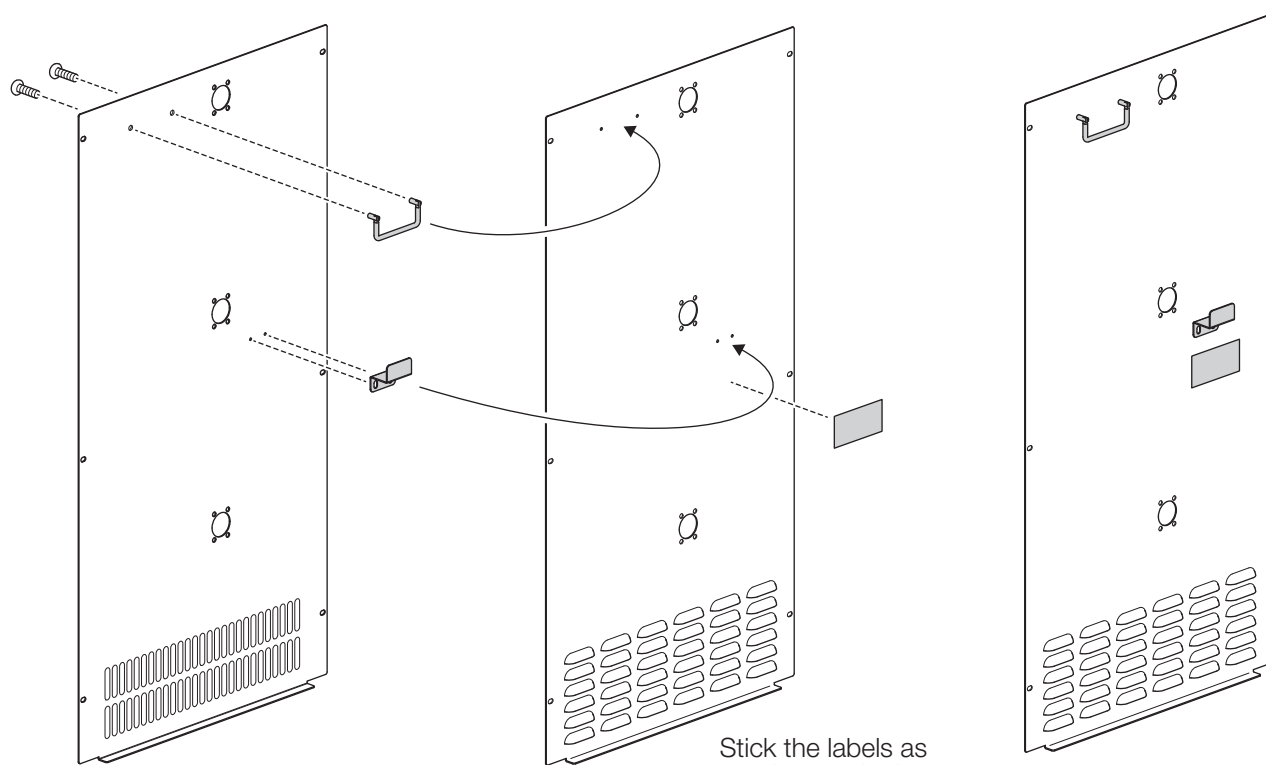


### 3.3.4. Cover plate assembly for Switch cabinet

**1** Remove the screws in order to take off the original cover plate

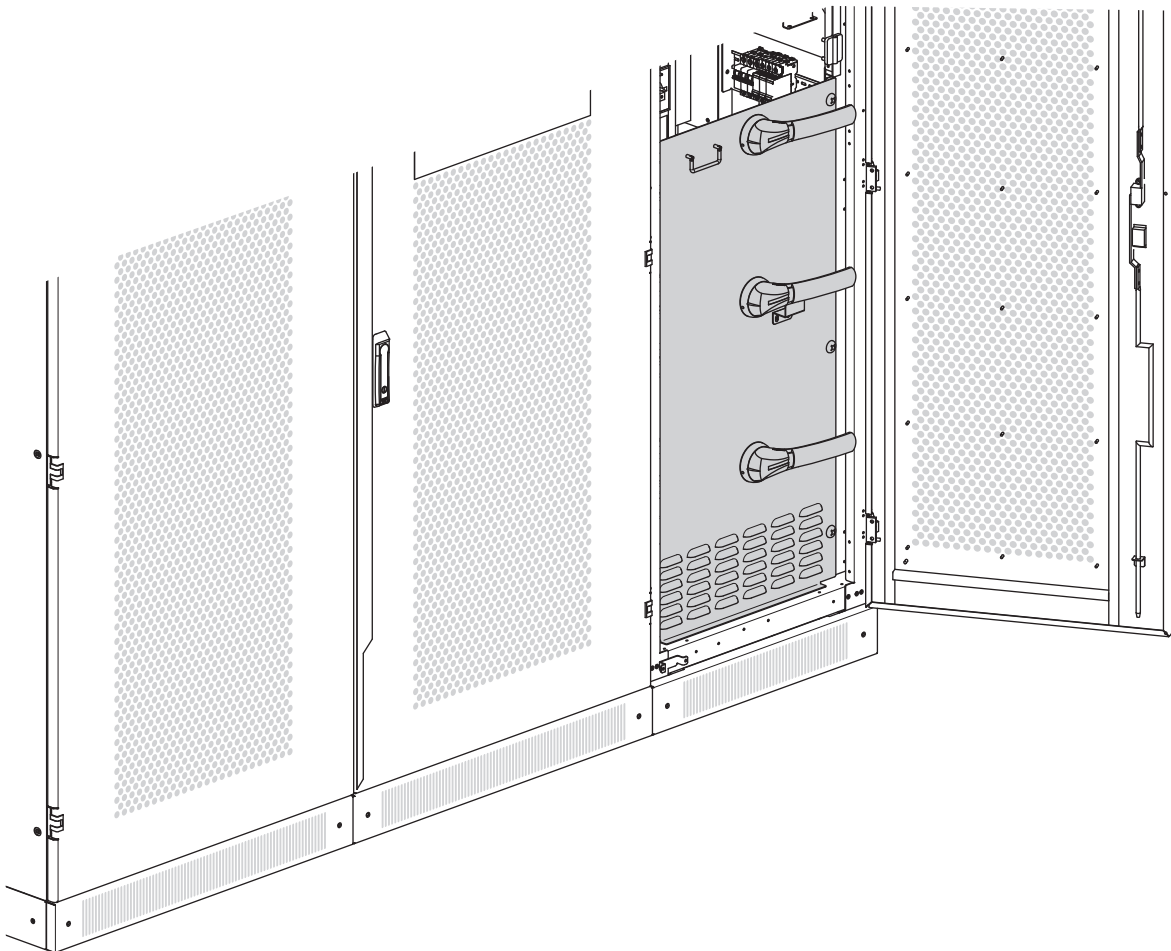
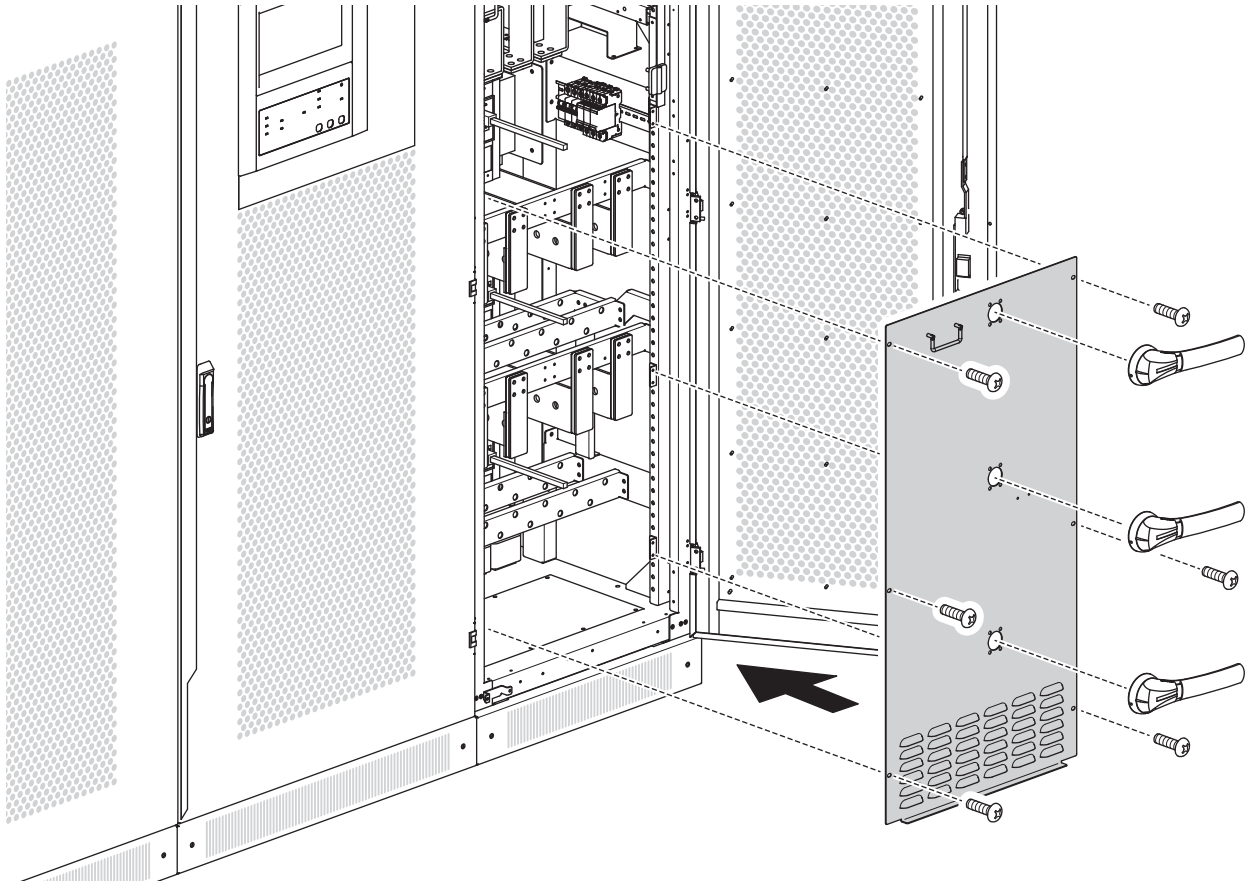


**2** Remove the handle from the original cover plate and then assemble to the new cover plate



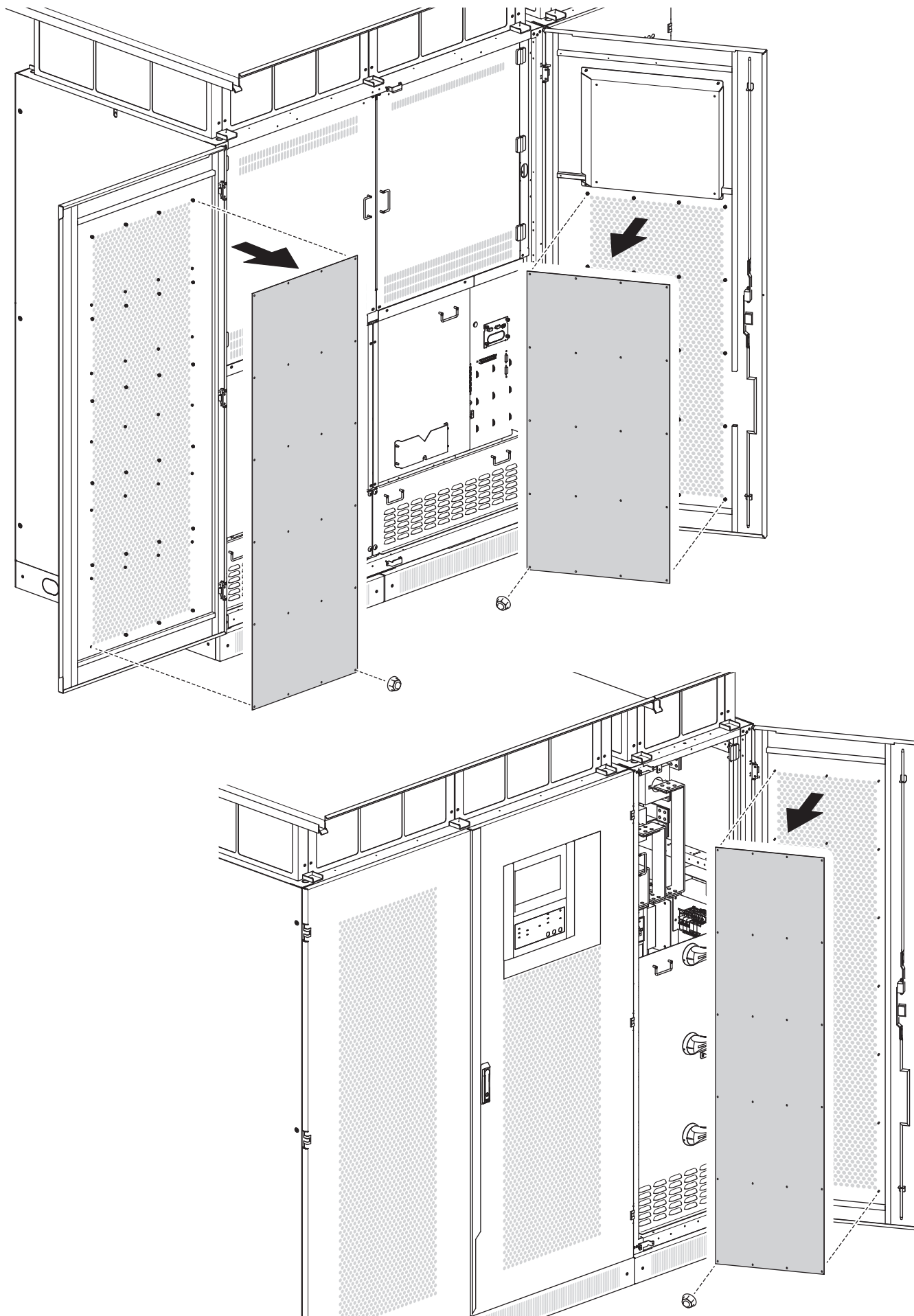
Stick the labels as per the way in the original cover plate.

**3** Assemble the new cover plate back to the position

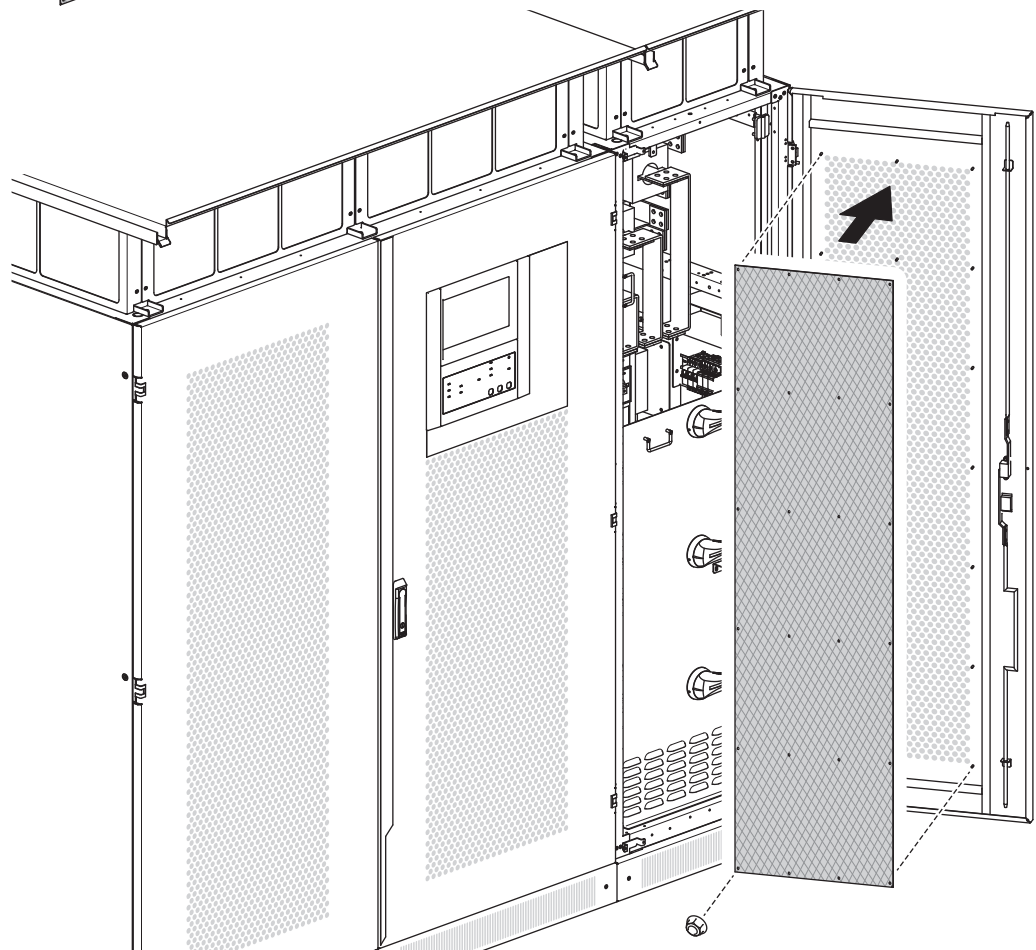
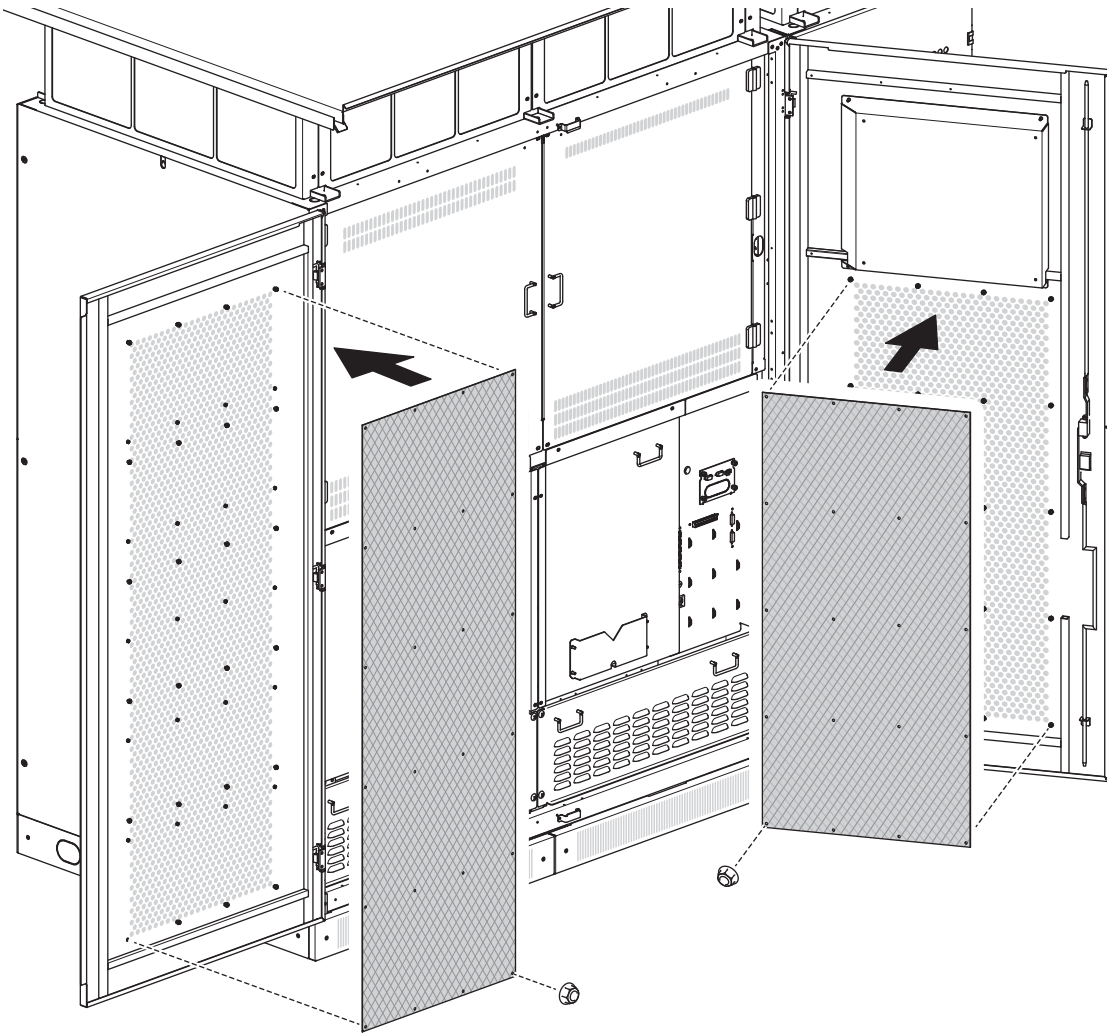


### 3.3.5. Stainless steel mesh assembly

**1** Remove the original meshes

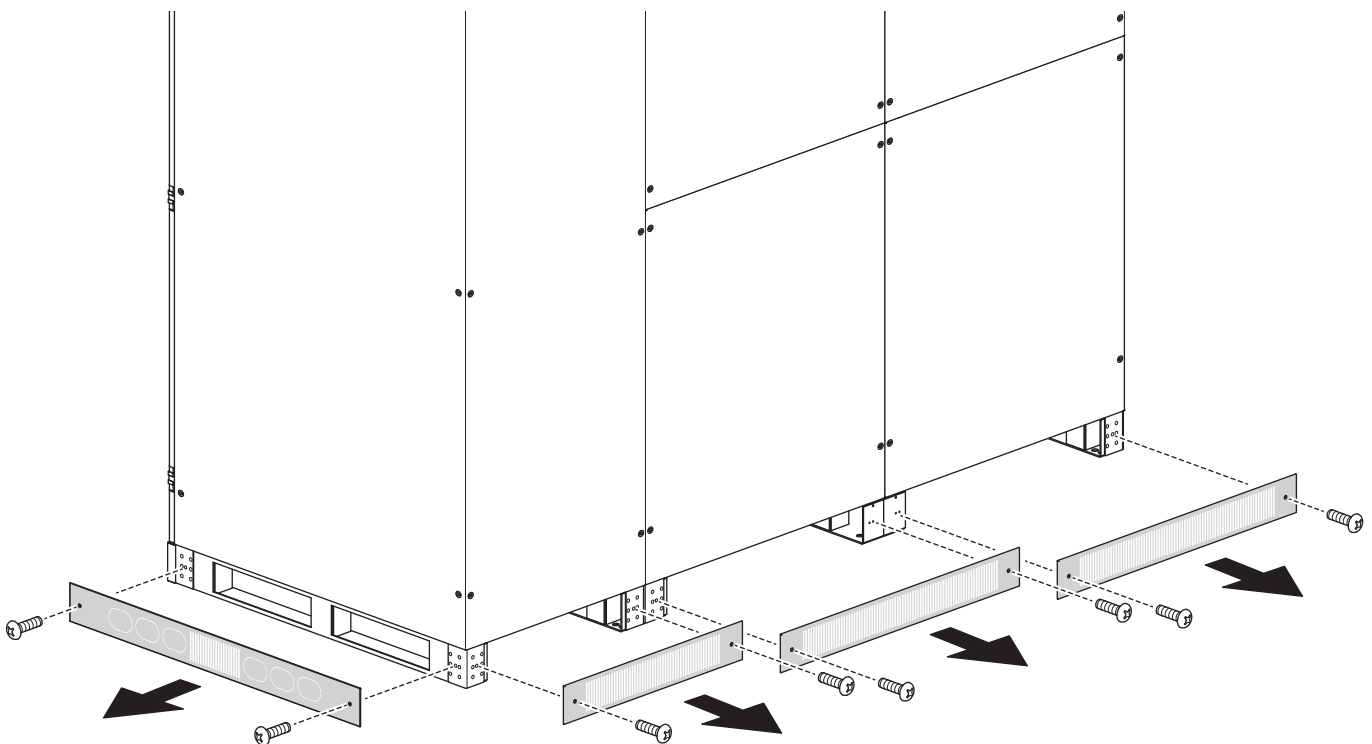
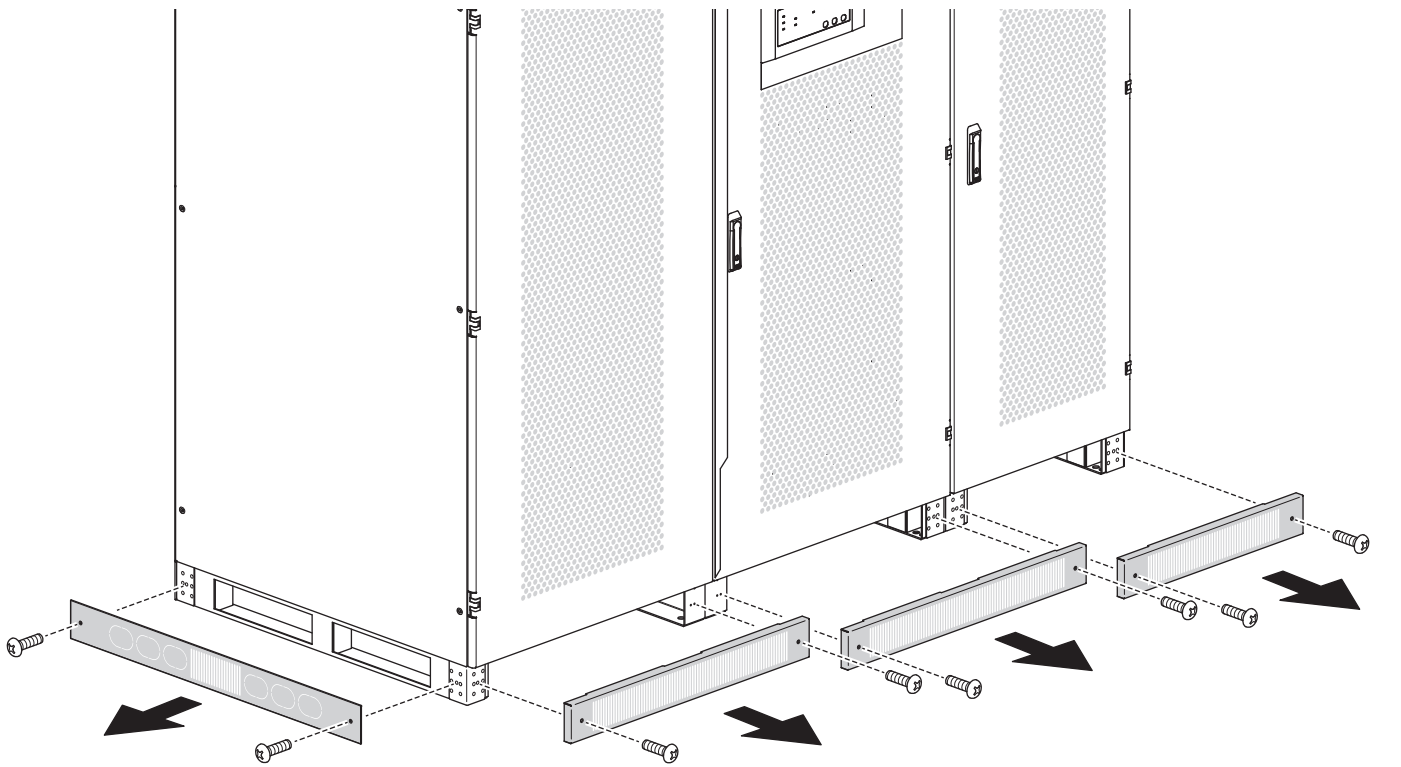


**2** Assemble the new meshes

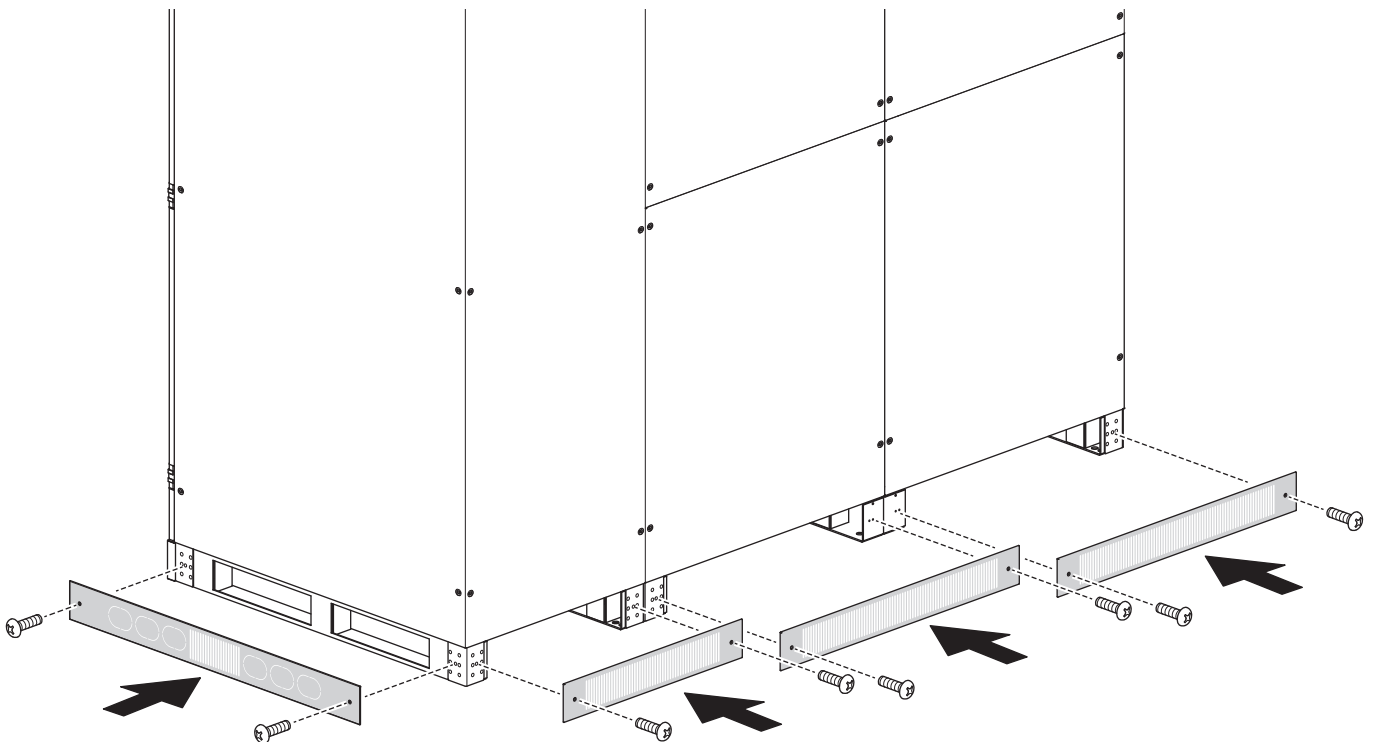
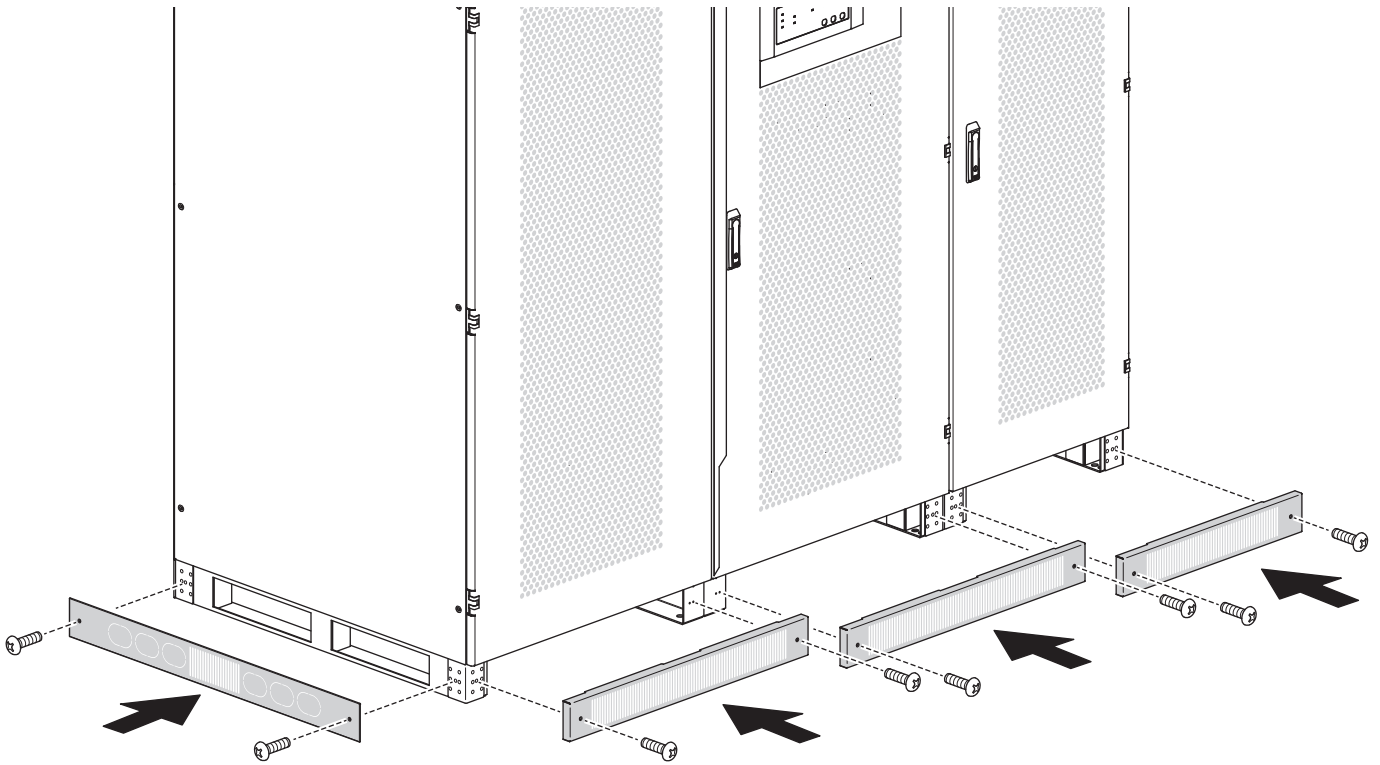


### 3.3.6. Base sealing plate assembly

**1** Remove the original sealing plates



**2** Assemble the new sealing plates





---

CORPORATE HQ CONTACT:  
SOCOMECSAS  
1-4 RUE DE WESTHOUSE  
67235 BENFELD, FRANCE

[www.socomec.com](http://www.socomec.com)

Non contractual document. © 2025, Socomec SAS. All rights reserved.

